



# Qwikflip® Glow Easel

## INSTRUCTION MANUAL

NO. 5044-01

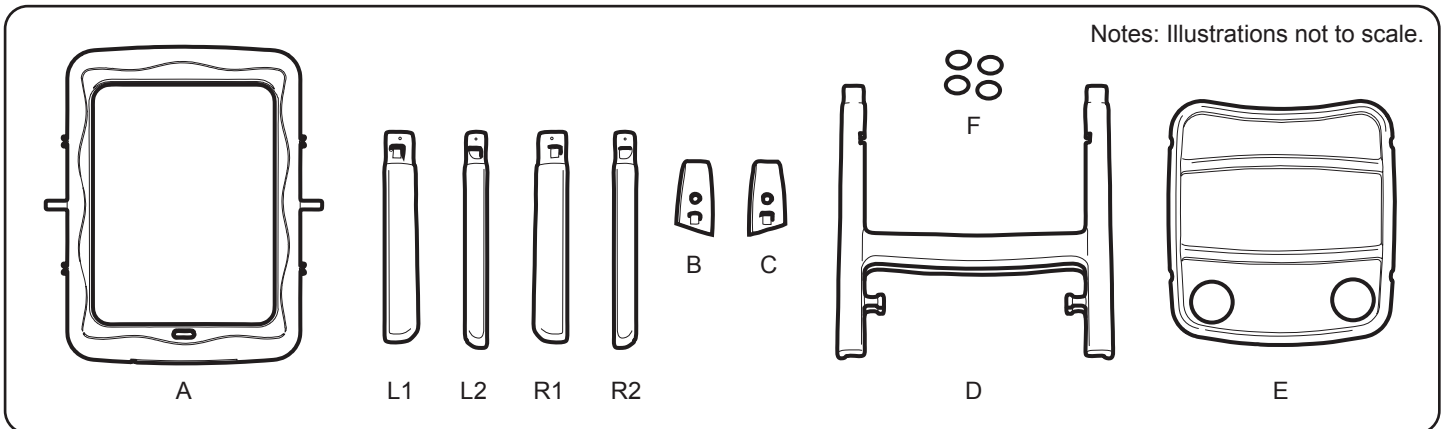
Ages: 4+

**WARNING:**  
CHOKING HAZARD—Small parts.  
Not for children under 3 years.

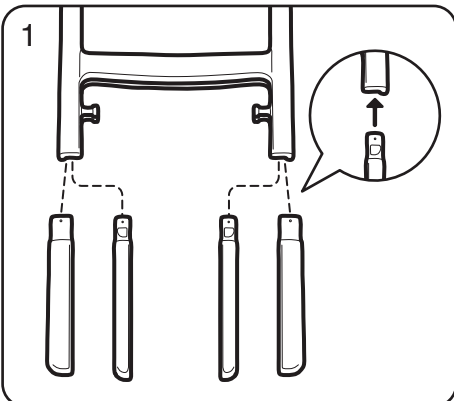
- Keep small parts necessary for assembly out of children's reach.
- Adult assembly required.
- This item must be used on level ground. DO NOT use on an uneven surface.
- Adult supervision advised when item is in use.
- Requires an adult to flip the easel board to the preferred side. Check that the lower pegs of the easel board are securely slotted in the preferred position before allowing the child to use the item.

PARTS LIST		
#	DESCRIPTION	QTY
A	Easel Board	1
L1	Left Front Leg	1
L2	Left Back Leg	1
R1	Right Front Leg	1
R2	Right Back Leg	1
B	Left Pivot Cap	1
C	Right Pivot Cap	1
D	Main Frame	1
E	Tray	1
F	Anti-Slip Rubber Pad	4

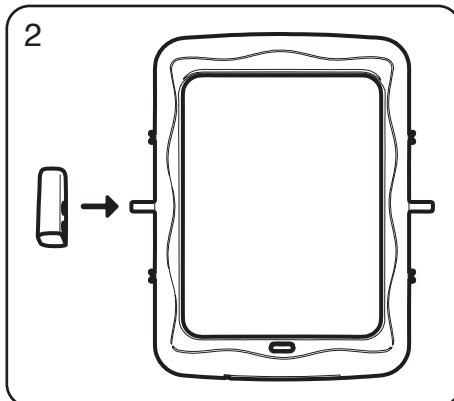
### PARTS LIST



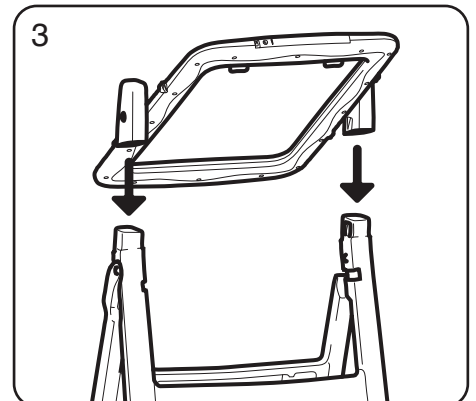
### ASSEMBLY INSTRUCTIONS



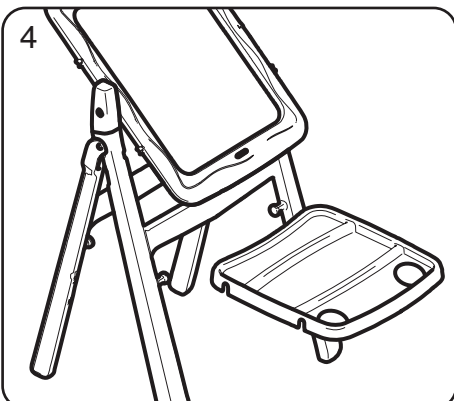
1 Remove the product from the package. Attach 4 legs to the main frame (D) by matching the markings L1, L2, R1 and R2.



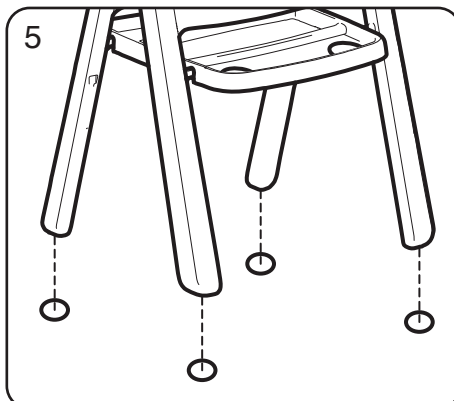
2 Hold the easel board (A) with the glow board facing front and insert the left pivot cap (B) to the peg of the easel board (A). Make sure the marking is matched. Attach the right pivot cap (C) in the same way to the other side.



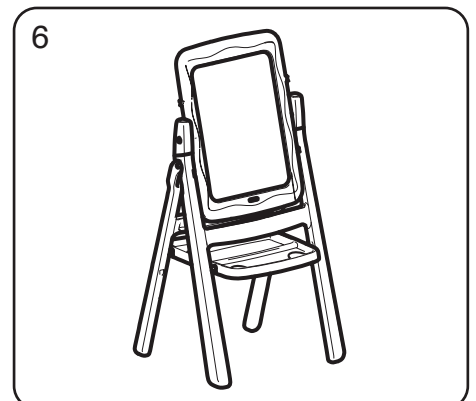
3 Assemble the whole easel board by inserting the holes of both pivot caps to the main frame. Make sure the markings are matched, and parts are securely snapped together.



4 Clip on the tray (E) onto the pegs of the main frame (D) as shown.



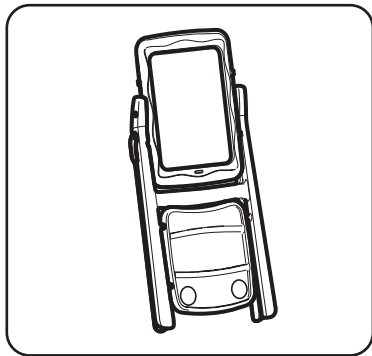
5 Stick the anti-slip rubber pads (F) to the bottom of the legs.



6 Picture shows assembled product. Please ensure the board is snapped securely into main frame indents before allowing a child to use it.

## TO FOLD UP FOR STORAGE

1. Release one side of the tray from the front pegs. Pull apart the legs to fold down the tray.
2. Fold the legs and easel is ready to store away.



## DRAW, DAZZLE, DISPLAY!

1. Draw, doodle, design or message with Gel Markers.
  2. Turn glow board on with power switch beside the battery cover. Screen lights up.
  3. Use the light button in front to start the light show.
- Get a different effect each time you press!

**Press 1 time:** Screen lights up.

**Press 2 times:** Lights blink.

**Press 3 times:** Lights blink faster.

**Press 4 times:** Lights cycle in fade on & off pattern.

**Press 5 times:** Lights cycle in a left-to-right pattern.

**Press 6 times:** Lights cycle in a left-to-right pattern (fast speed).

**Press 7 times:** Lights cycle in a left-to-right pattern / right-to-left pattern.

**Press 8 times:** Lights cycle in ends-to-center / center-to- end pattern.

**Press 9 times:** Lights cycle in center-to- end / ends-to-center pattern.

**Press 10 times:** Lights cycle in blink x 2 & Light up pattern.

**Press 11 times:** Screen lights up to start the process again. To turn off lights, push power switch to "Off" position.

## CARE INSTRUCTION

- This easel was made for **INDOOR** use. DO NOT attempt to use or expose the unit outdoors. The boards are weather sensitive, any wetness or excessive dampness will ruin the boards.
- DO NOT use any Spray or Dry-Erase cleaners on the boards, as this may cause damage.
- Treat the board surfaces with care; DO NOT use sharp pointed objects on the writing surface. Scratching the surface will cause permanent damage.
- Eraser can be used for chalkboard surfaces ONLY.

### Glow board

- Use only Crayola® Gel Markers on the drawing surface.
- Darken the room for best light show effects.
- Remove marks from drawing surface and board with a damp cloth or paper towel. Dry drawing surface completely before re-use. DO NOT IMMERSE UNIT IN WATER.
- When play is finished or before storing, push power switch to "Off" position to turn unit off completely.

### Chalkboard

- Chalkboard must be treated / seasoned prior to use. To season: Hold Crayola Anti-Dust® or school chalk on the flat side (not the point side) and using broad flat strokes, coat the board both horizontally then vertically, making sure to cover the entire board surface. Wipe off the chalk with a **slightly damp** sponge (or paper towel).
- Crayola Anti-Dust® or school chalk (Calcium Carbonate Based) is recommended for use on the chalkboard surface. DO NOT use Crayola Sidewalk Chalk or other "street chalk" as it contains abrasives that will damage the board.

## SAFETY AND MAINTENANCE

1. Make sure that all the pegs are securely snapped together before use.
2. Please check the unit regularly for any worn parts. The item must be securely assembled to avoid injury.

## LIMITED WARRANTY

Our products are covered under warranty for a period of 60 days from the date of purchase, under normal use and service, against defective workmanship and material. If you have recently purchased this product and find it to be defective in anyway, kindly return it to the "Source of Purchase" for a Full Refund or Exchange.

Should the product no longer be covered by your Purchase Receipt, or should you have any inquiry pertaining to our product, please call our Toll Free Customer Service for assistance.

Keep a copy of the UPC Code with proof of purchase receipt for any future Warranty Service. Please retain packaging and assembly instructions for future reference.

### CUSTOMER SERVICE

**USA & Canada:** service@grow-n-up.com

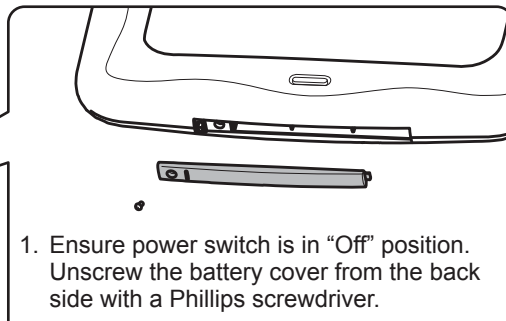
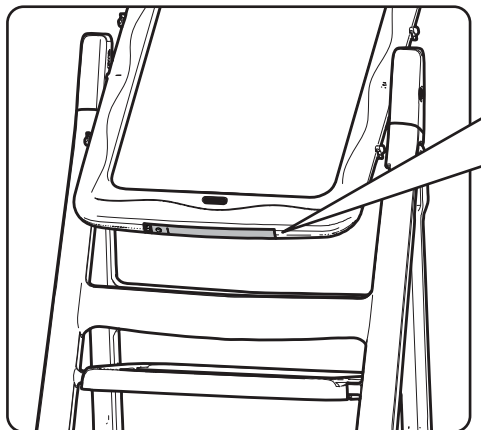
**Toll free hotline:** 1-888-468-9898

**Other countries:** support@grow-n-up.com

**www.grow-n-up.com**

## INSTALLING OR REPLACING BATTERIES

**CAUTION:** BATTERIES MUST BE INSTALLED BY AN ADULT ONLY.  
REQUIREMENTS: 3 AA Alkaline Batteries (not included), Phillips Screwdriver (not included).

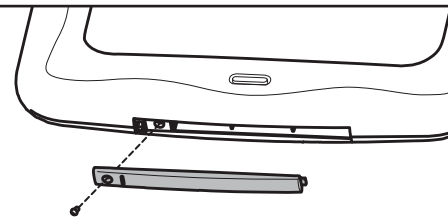


1. Ensure power switch is in "Off" position. Unscrew the battery cover from the back side with a Phillips screwdriver.

power switch



2. Install three AA batteries, observing the correct polarity (+/-).



3. Replace the battery cover and tighten the screw. Push power switch to "On" position before using glow board.

NO BATTERIES INCLUDED



The Wheelie Bin symbol indicates that the product and the batteries must not be disposed of with other household waste as they may contain elements which can have a harmful effect on the environment and human health. Please use designated collection points or recycling facilities when disposing of the item and the batteries. To help locate your nearest facility see: [www.recyclenow.com](http://www.recyclenow.com)

CLASS 1 LED PRODUCT

### FCC STATEMENT

This device complies with Part 15 of the FCC Rules. Operation is subject to the following two conditions:  
(1) This device may not cause harmful interference, and  
(2) this device must accept any interference received, including interference that may cause undesired operation.

### WASHING & CARE INFORMATION

FOR BEST RESULTS: Crayola Washable Gel Markers wash from skin and most washable clothing. Wash promptly in hot wash cycle. Do not use prewash or chlorine bleach. Repeat laundering may be required. Keep caps on markers when not in use.

STAIN ADVISEMENT: Keep away from wallpaper, painted walls, finished and unfinished wood, vinyl, carpeting and other materials that cannot be laundered.

### BATTERY SPECIFICATIONS & CAUTIONS

Requires 3 AA batteries 4.5 V (DC) • Do not use rechargeable batteries.  
• Non-rechargeable batteries are not to be recharged. • Different types of batteries or new and old batteries are not to be mixed. • Batteries must be inserted using correct polarity. • Remove and discard exhausted batteries properly as soon as possible.  
• Remove all batteries from compartment if they will not be used for a long period (several months). • The supply terminals are not to be short-circuited.

©2015 Crayola.  
Official Licensed Product  
Grow'n up Limited. All Rights Reserved.  
Room 808B New Mandarin Plaza, Tsim Sha Tsui, Kowloon, Hong Kong.  
**MADE IN CHINA (SZ)**