



Wriggle 'N Slide Playhouse

ASSEMBLY INSTRUCTIONS

DO NOT DISCARD: IMPORTANT LITERATURE. KEEP THESE INSTRUCTIONS FOR FUTURE REFERENCE. OBSERVE ALL SAFETY WARNINGS AND CAUTIONARY STATEMENTS TO REDUCE THE RISK OF SERIOUS OR FATAL INJURY.

⚠ WARNING: TO AVOID SERIOUS INJURY: DO NOT install this product on a hard surface. A fall onto hard surface could result in a head or other serious injuries. Never place on concrete, asphalt, wood, packed earth or other hard surfaces. Carpet over hard floors may not prevent injury.

⚠ WARNING: Instruct children to remove their bike or other sports helmet before playing on the playground equipment.

SAFETY INSTRUCTIONS

CHOKING HAZARD - Small parts. This product contains small parts and sharp points which are necessary for assembly. Prior to or during assembly of this product, keep all components out of children's reach. Small parts pose a choking hazard to children under 3 years of age.

- Warning. Only for domestic use. Suitable for indoor and outdoor use. This product is designed for normal residential use only, and is not intended for use in schools, parks, day care centers, nurseries, or other public places.
- Warning. This product is intended for use by children ages 1½ - 5 years.
- Warning. Maximum weight limit: 50 lbs (23 kg) on each individual play. Limit 4 children at any one time.
- Adult assembly required. Phillips / cross-headed screwdriver and hammer (not included) required during assembly.
- Two (2) adults are recommended for roof assembly.
- Instruct children on proper use of this product, only after properly installed and assembled, and not in any manner other than intended.
- Recommend to place the activity toy on a level surface at least 2 m (6.5 feet) from any structure or obstruction such as a fence, garage, house, overhanging branches, laundry lines or electrical wires.
- On-site adult supervision is required for children of all ages at all times when on or around this product. Never leave children unattended.
- Slide feet first. Never head first. One (1) child at a time.
- When the slide is exposed to direct sunlight, check the temperature on the product surface. If the slide chute is too hot, pour cold water on the slide chute until it cools and wipe dry before giving it to children.
- It is recommended to place the slide out of direct sunlight to reduce the likelihood of serious burns and injure child's eyes. A slide that faces north will receive the least direct sunlight.

⚠ CAUTION: Observing the following statements and warnings to reduce the likelihood of serious or fatal injury.

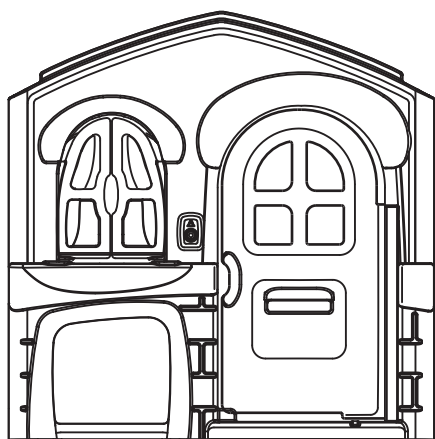
- DO NOT allow children to play on this product until it is completely installed.
- DO NOT allow children to stand, walk close to, behind, in front of, or between moving product. Instruct children to keep a safe distance away.
- DO NOT let children use this product in any manner other than intended.
- Dress children appropriately while on and around this product. Use well-fitting shoes that do not have slippery soles. DO NOT allow children to wear ponchos, scarves, hoods, jewelry, loose shoes, loose-fitting clothing, neckties, clothing with loose strings and/or clothing that might be potentially hazardous while using this product.
- Instruct children to remove their bike or other sports helmet before using this product.
- Make sure all parts are securely snapped together before use.

CARE AND MAINTENANCE

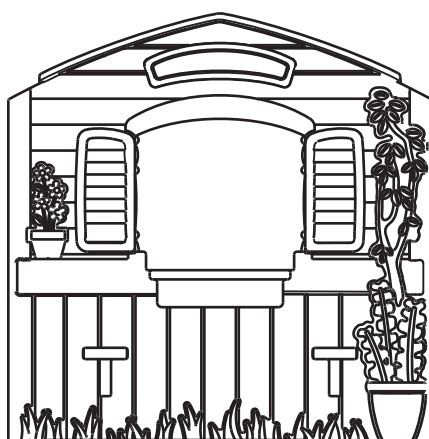
- The owner of this product shall be responsible for maintaining the legibility of the warning labels.
- Check all coverings for bolts and sharp edges and replace when required.
- Replace defective parts in accordance with the manufacturer's instructions.
- DO NOT allow children to climb or to play when the product is wet. It may be slippery when wet.
- DO NOT leave this item exposed to strong wind and inclement weather.
- Clean the slide regularly with soapy water in order to avoid a build up of static electricity.
- NEVER attach any materials that are not specifically designed for use with this product, such as (but not limited to) jump ropes, clotheslines, pet leashes, cables and chains, these pose a potential strangulation hazard.
- Discard all packaging properly after unit has been assembled.
- Disassemble and dispose of this product in a safe place and manner so as not to present any hazard to any individual at the item when the product is discarded.
- Twice a month during play season; rake and check depth of loose fill protective surfacing materials to prevent compaction and to maintain appropriate depth. Replace as necessary.
- Twice a month during play season; check the unit for tightness, and tighten as required. It is particularly important that this procedure be followed at the beginning of each season and monthly thereafter for evidence of deterioration. Replace as needed. If not checked regularly, parts can be loose or missed and components can become detached and cause injuries.
- At the beginning of each play season; rake and check depth of loose fill protective surfacing materials to prevent compaction and to maintain appropriate depth. Replace as necessary.
- At the beginning of each play season; check metal parts for rust. If found, sand and repaint using a non-lead based paint meeting the requirements of 16 CFR 1303.
- At the beginning of each play season; reinstall the plastic parts or any other items that were removed for the cold season.
- At the end of each play season or when temperature falls below 32°F / 0°C; remove the product and store indoors. In extreme cold weather, plastic materials lose resilience and may become brittle and crack upon impact.
- At the end of each play season or when temperature falls below 32°F / 0°C; rake and check depth of loose fill protective surfacing materials to prevent compaction and to maintain appropriate depth. Replace as necessary.

ASSEMBLY INSTRUCTIONS

PARTS LIST

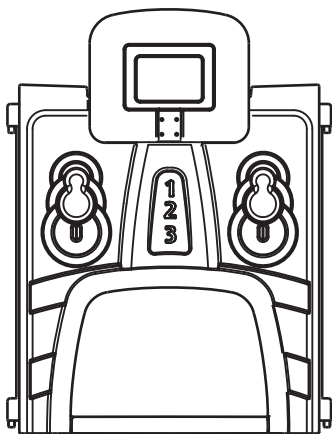


A - Front wall

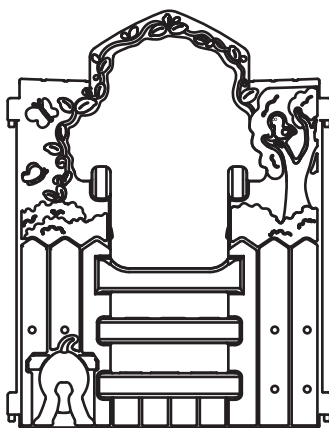


B - Back (garden) wall

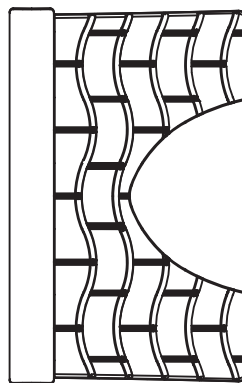
PARTS LIST		
#	DESCRIPTION	QTY
A	Front Wall	1
B	Back (garden) Wall	1
C	Right (activity) Wall	1
D	Left (slide) Wall	1
E	Roof (L)	1
F	Roof (R)	1
G	Slide	1
H	Football Net	1
I	Basketball Rim	1
J	Ring Toss	2
K	Cafe Table	1
L	Seat	2
M	Seat Support	2
N	Stove	1
O	Ring	2
P	Horseshoe Ring	1
Q	Flower Ring	1



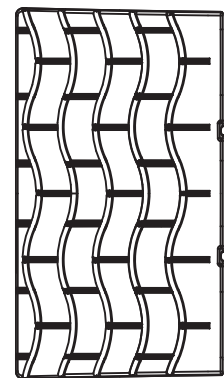
C - Right (activity) wall



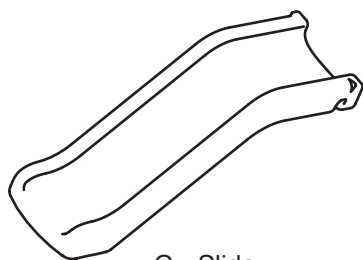
D - Left (slide) wall



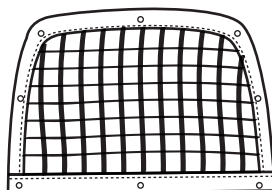
E - Roof (L)



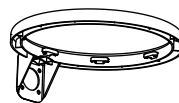
F - Roof (R)



G - Slide



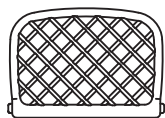
H - Football net



I - Basketball rim



J - Ring toss



K - Cafe table



L - Seat



M - Seat support



N - Stove



O - Ring



P - Horseshoe ring



Q - Flower ring

ASSEMBLY INSTRUCTIONS

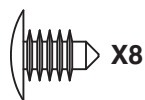
FITTING PACK



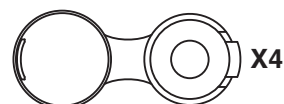
M6 Screw 12mm



M4 Screw 40mm

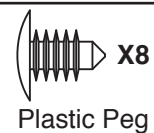
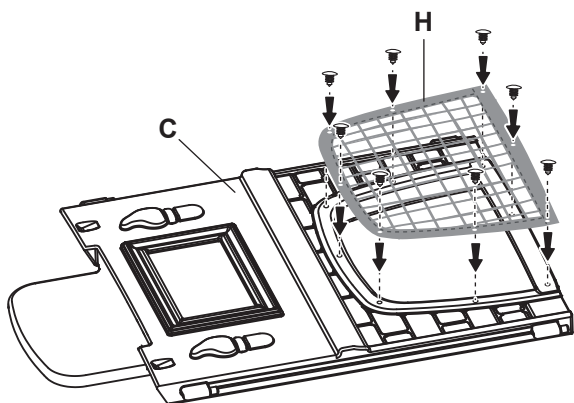


Plastic Peg

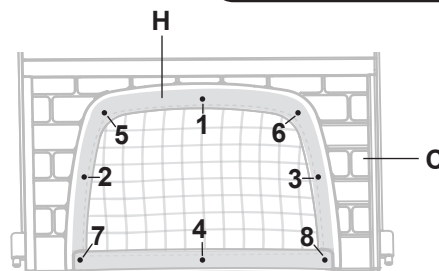


Screw Cap

01

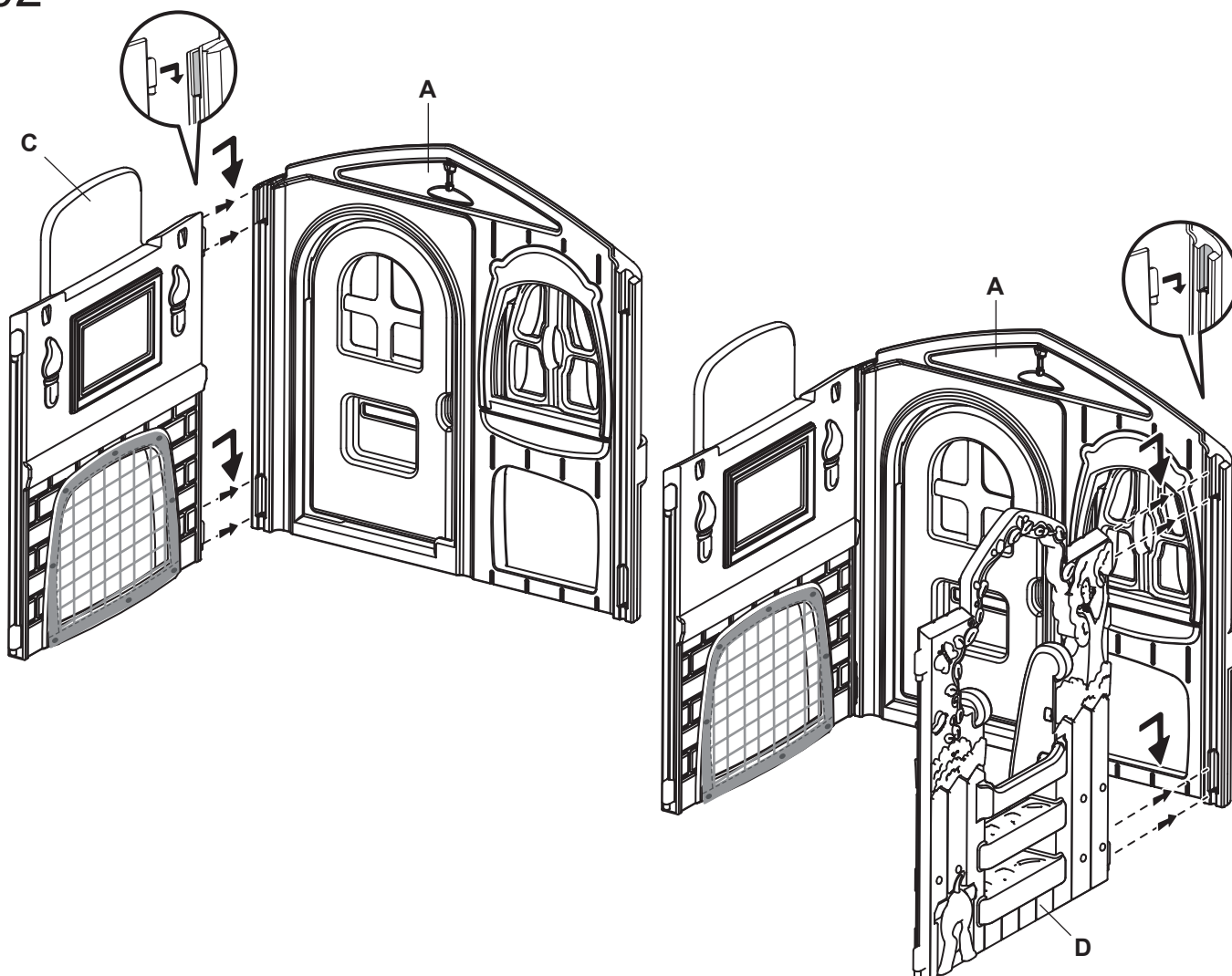


Plastic Peg



Attach the football net on the inside of the left (activity) wall. Fasten the plastic pegs follow the order as shown.

02

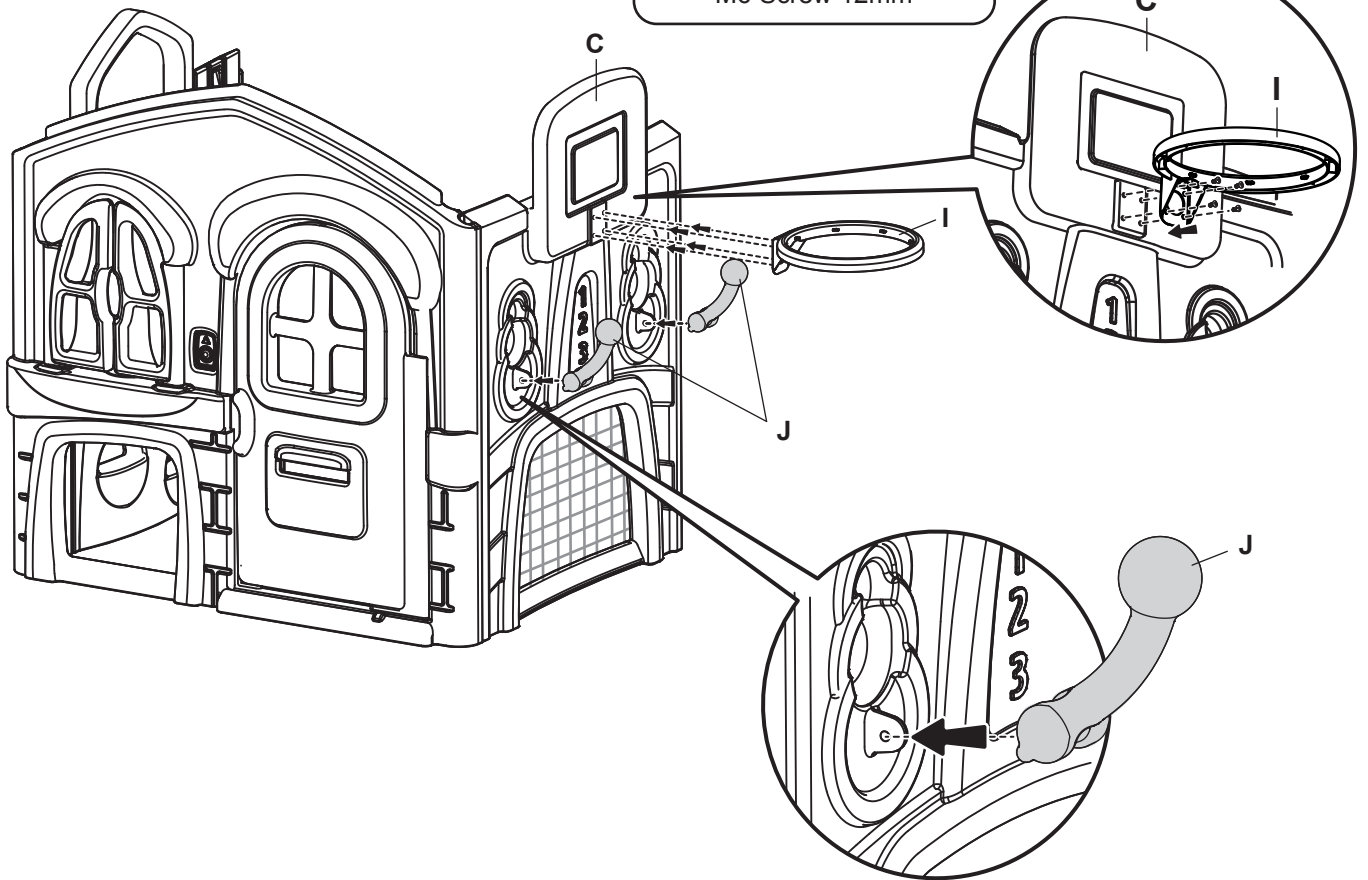


ASSEMBLY INSTRUCTIONS

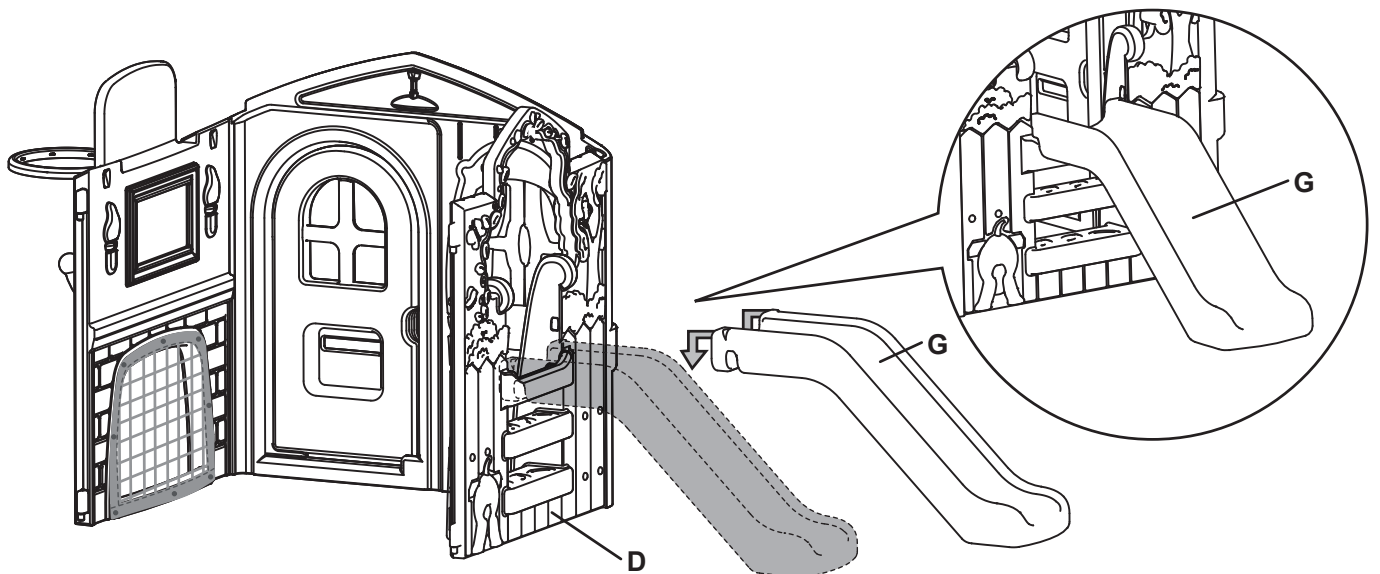
03

X4

M6 Screw 12mm

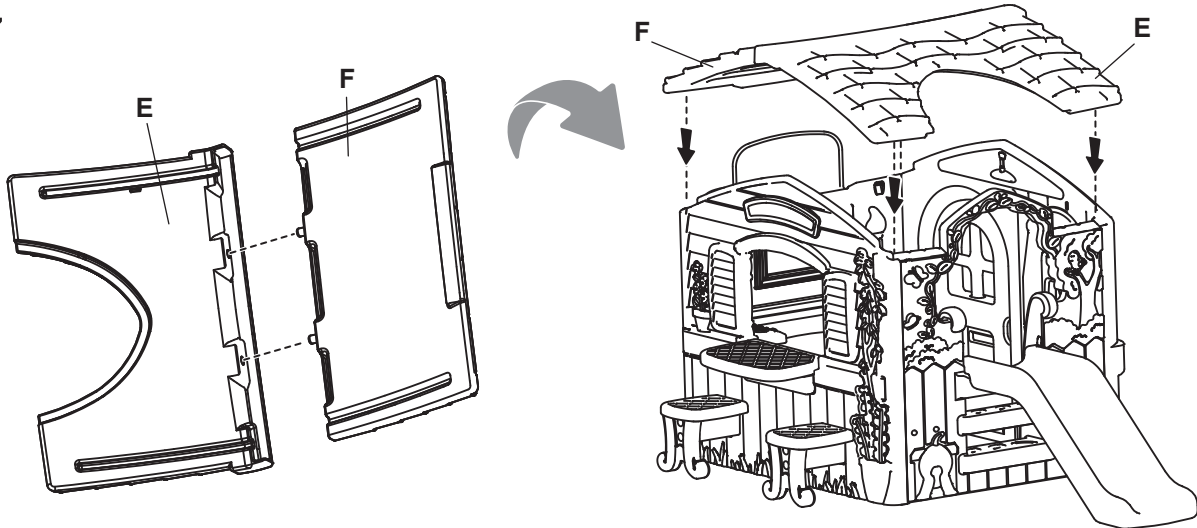


04

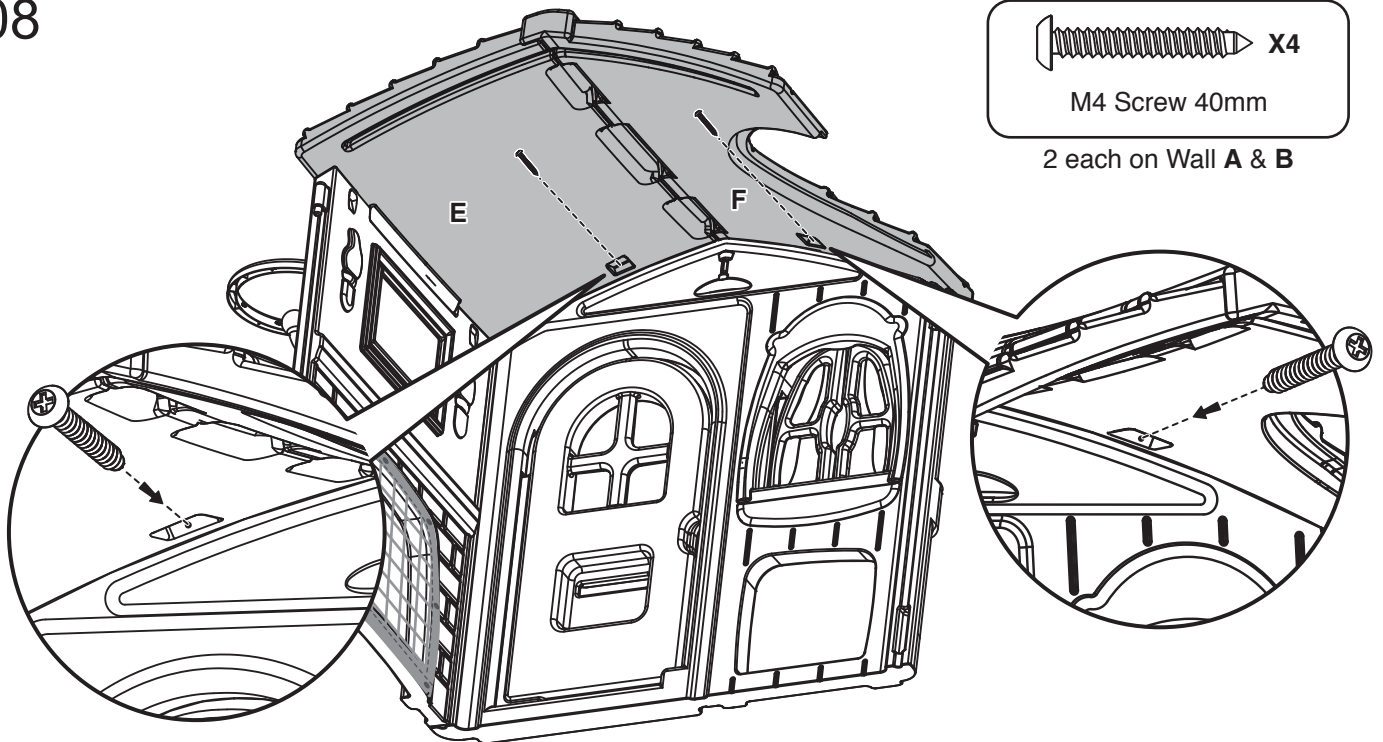


ASSEMBLY INSTRUCTIONS

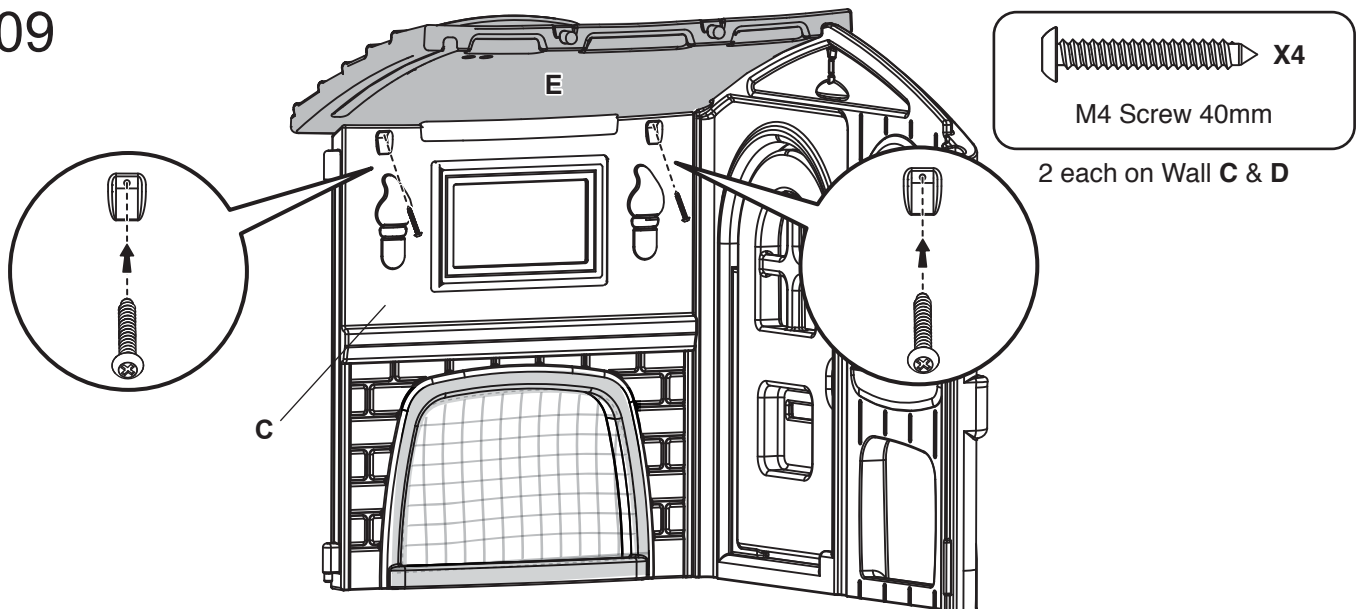
07



08

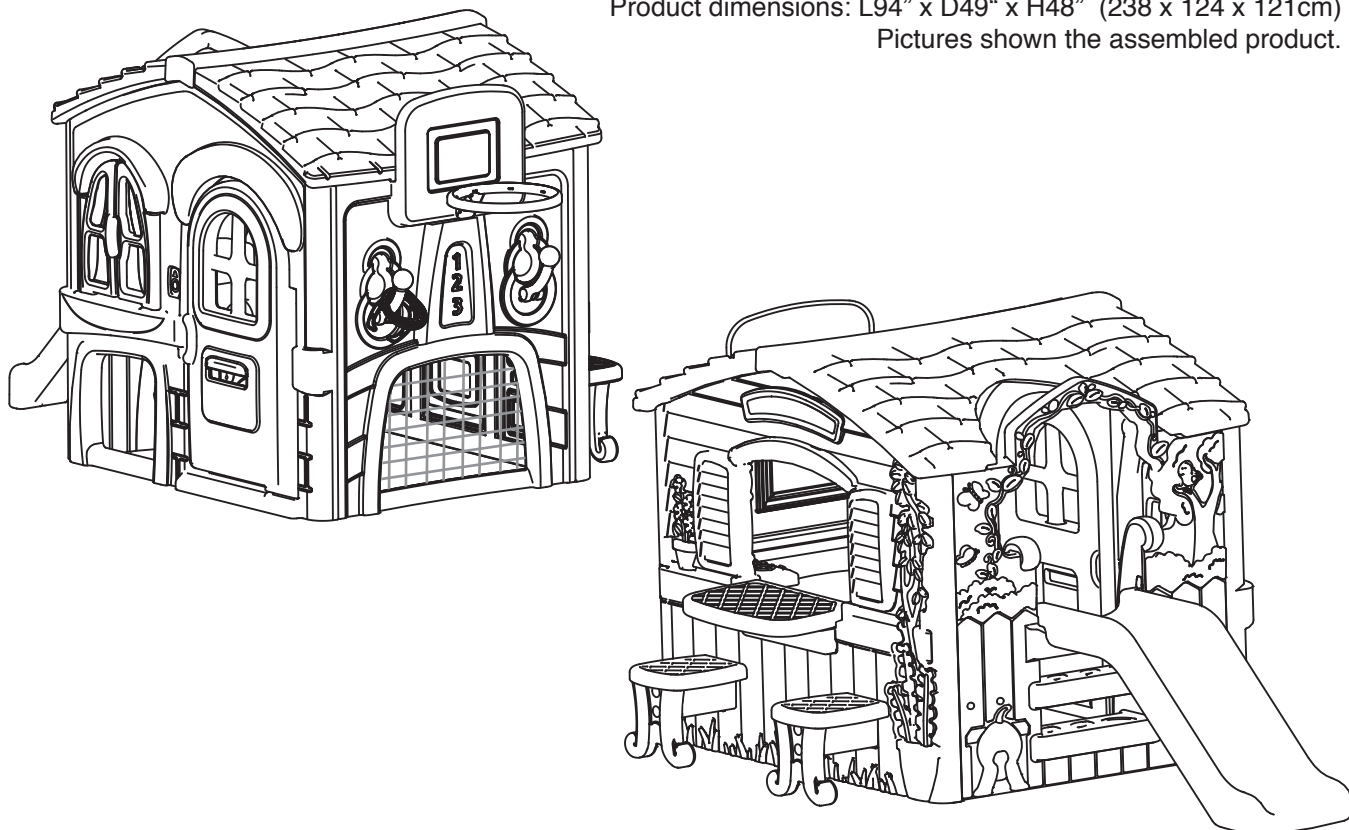


09



ASSEMBLY INSTRUCTIONS

Product dimensions: L94" x D49" x H48" (238 x 124 x 121cm)
Pictures shown the assembled product.



Product may vary from the illustrations.

CARE AND MAINTENANCE

1. Verify that all the pegs are securely tapped together before use.
2. Please carry out check the unit regularly for any worn out parts.

CONSUMER INFORMATION

Information on Playground surfacing materials:

Maximum fall height for this product is 2 ft 4 inch / 711 mm.

Select Protective Surfacing – One of the most important things you can do to reduce the likelihood of serious head injuries is to install shock-absorbing protective surfacing under and around your play equipment. The protective surfacing should be applied to a depth that is suitable for the equipment height in accordance with ASTM Specification F 1292. There are different types of surfacing to choose from; whichever product you select, follow these guidelines:

Loose-Fill Materials:

Maintain a minimum depth of 9 inches of loose fill materials such as wood mulch/chips, engineered wood fiber (EWF), or shredded/recycled rubber mulch for equipment up to 8 feet high; and 9 inches of sand or pea gravel for equipment up to 5 feet high. NOTE: An initial fill level of 12 inches will compress to about a 9 inch depth of surfacing over time. The surfacing will also compact, displace, and settle, and should be periodically refilled to maintain at least a 9 inch depth. Use a minimum of 6 inches of protective surfacing for play equipment less than 4 feet in height. If maintained properly, this should be adequate. (At depths less than 6 inches, the protective material is too easily displaced or compacted.)

NOTE: Do not install home playground equipment over concrete, asphalt, or any other hard surface. A fall onto a hard surface can result in serious injury to the equipment user. Grass and dirt are not considered protective surfacing because wear and environmental factors can reduce their shock absorbing effectiveness. Carpeting and thin mats are generally not adequate protective surfacing. Ground level equipment – such as a sandbox, activity wall, playhouse or other equipment that has no elevated play surface – does not need any protective surfacing.

Use containment, such as digging out around the perimeter and/or lining the perimeter with landscape edging. Don't forget to account for water drainage.

Check and maintain the depth of the loose-fill surfacing material. To maintain the right amount of loose-fill materials, mark the correct level on play equipment support posts. That way you can easily see when to replenish and/or redistribute the surfacing.

Do not install loose-fill surfacing over hard surfaces such as concrete or asphalt.

Poured-In-Place Surfaces or Pre-Manufactured Rubber Tiles – You may be interested in using surfacing other than loose-fill materials – like rubber tiles or poured-in-place surfaces.

Installations of these surfaces generally require a professional and are not “do-it-yourself” projects.

Review surface specifications before purchasing this type of surfacing. Ask the installer/manufacturer for a report showing that the product has been tested to the following safety standard: ASTM F1292 Standard Specification for Impact Attenuation of Surfacing Materials within the Use Zone of Playground Equipment. This report should show the specific height for which the surface is intended to protect against serious head injury. This height should be equal to or greater than the fall height – vertical distance between a designated play surface (elevated surface for standing, sitting, or climbing) and the protective surfacing below – of your play equipment.

Check the protective surfacing frequently for wear.

Placement – Proper placement and maintenance of protective surfacing is essential. Be sure to:

Extend surfacing at least 6 feet from the equipment in all directions.

FOR DISPOSAL

The owner of this product should disassemble and dispose of the playground equipment in such a way that no unreasonable hazards will exist at the time the playground equipment is discarded.

LIMITED WARRANTY

Our products are covered under warranty for a period of 1 year* from the date of purchase, under normal use and service, against defective workmanship and material. If you have recently purchased this product and find it to be defective in anyway, kindly return it to the "Source of Purchase" for a Full Refund or Exchange.

Should the product no longer be covered by your Purchase Receipt, or should you have any inquiry pertaining to our product, please call our Toll Free Customer Service for assistance.

Keep a copy of the UPC Code with proof of purchase receipt for any future Warranty Service.

Please retain packaging and assembly instructions for future reference.

*The warranty period is three (3) months for daycare or commercial purchasers.