



Summertime Picnic Table

INSTRUCTION MANUAL

No. 3015
Ages: 2 - 5 y



DO NOT DISCARD: IMPORTANT LITERATURE. KEEP THESE INSTRUCTIONS FOR FUTURE REFERENCE. OBSERVE ALL SAFETY WARNINGS AND CAUTIONARY STATEMENTS TO REDUCE THE RISK OF SERIOUS OR FATAL INJURY.

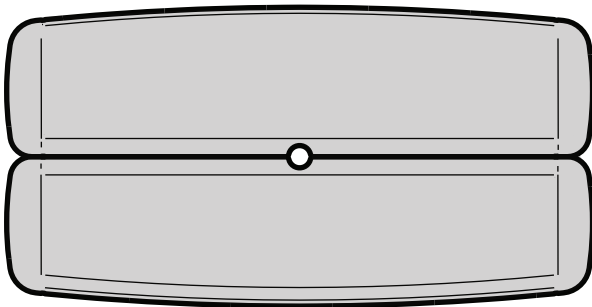
- This product is designed for family domestic use only. Suitable for indoor and outdoor use.
- Adult assembly required. No tools required.
- Adult supervision advised when item is in use.
- When temperature falls below 32°F / 0°C, outdoor use of this product is not recommended. In extreme cold, plastic materials lose resilience and may become brittle and crack upon impact. Remove and store product indoor.
- When the picnic table is exposed to direct sunlight, check the temperature on the product surface. If the picnic table is too hot, pour cold water on the table until it cools and wipe dry before giving it to children.
- Maximum weight limit is 101 lbs (46 kg) per side or 51 lbs (23 kg) per child. Limit 2 children per side.
- DO NOT sit or stand on the table top.

CARE AND MAINTENANCE

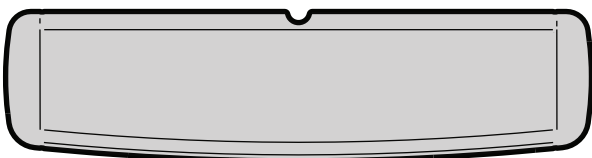
1. Make sure all parts are securely snapped together before use.
2. Please check the unit twice monthly during the season it's being used, for tightness, and tighten as required. It is important that this procedure be followed at the beginning of each season. Replace as needed. If not checked regularly, parts can become loosened or misplaced and components can get detached and cause injuries.
3. DO NOT leave this item exposed to strong wind and inclement weather.

PARTS

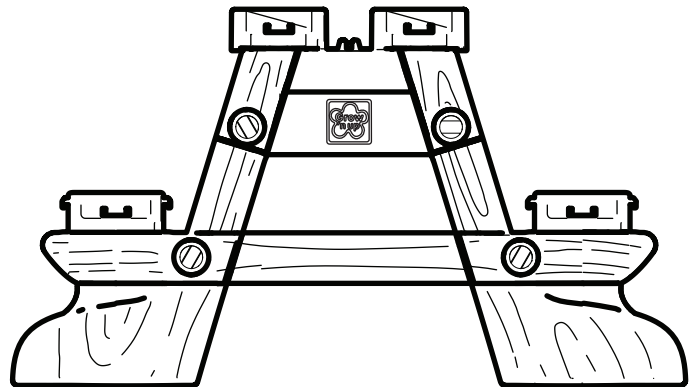
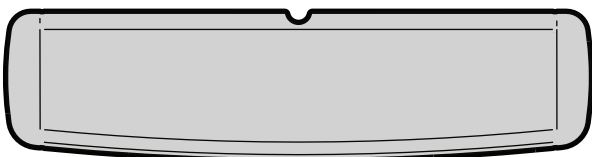
Notes: Illustrations not to scale.



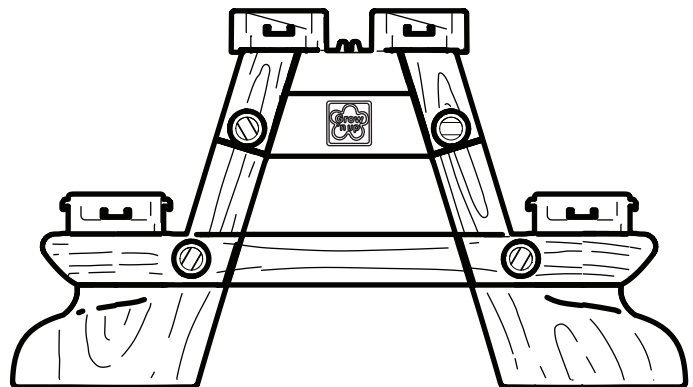
A



B



C



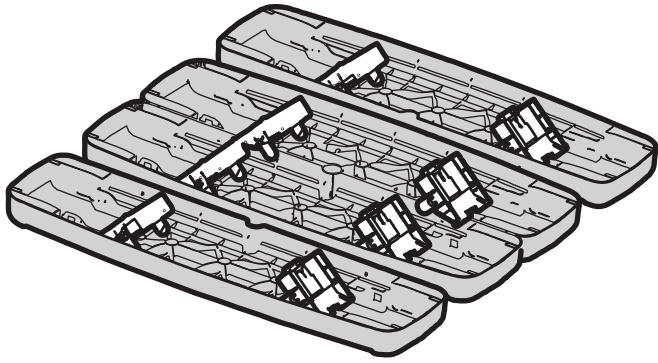
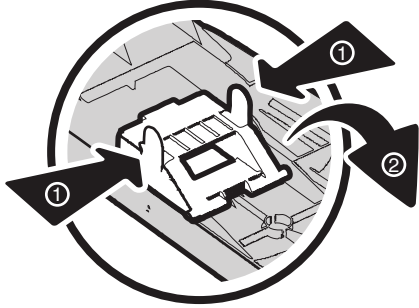
PARTS LIST

#	DESCRIPTION	QTY
A	Table Top	1
B	Seat Panels	2
C	Side Panels	2

ASSEMBLY:

A1

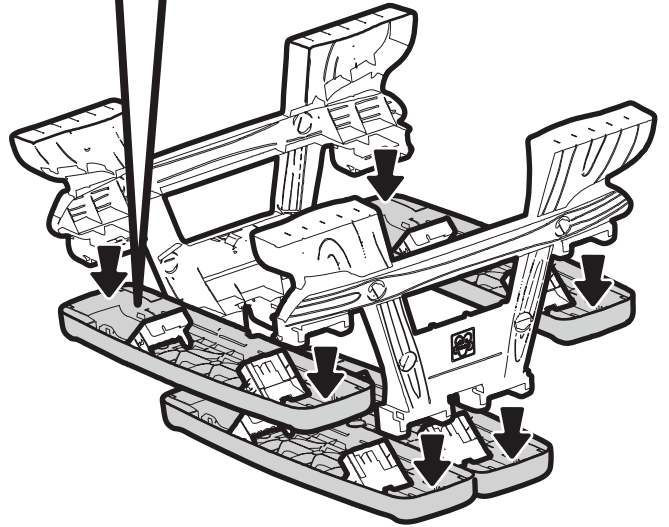
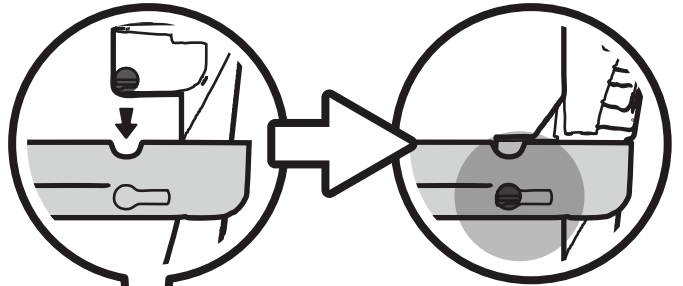
- Open the hinge locks as shown.



A2

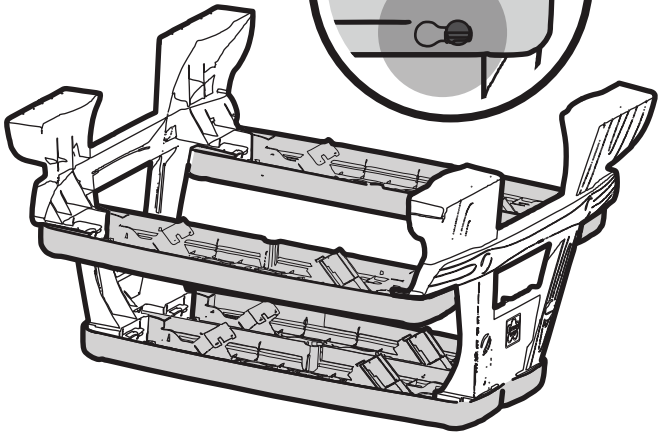
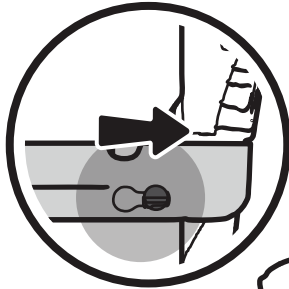
- Snap the Side Panel (C) into the slots in Seat Panel (B) and Table Top (A) respectively as shown.
- Make sure it is firmly locked.

Seat Panel only



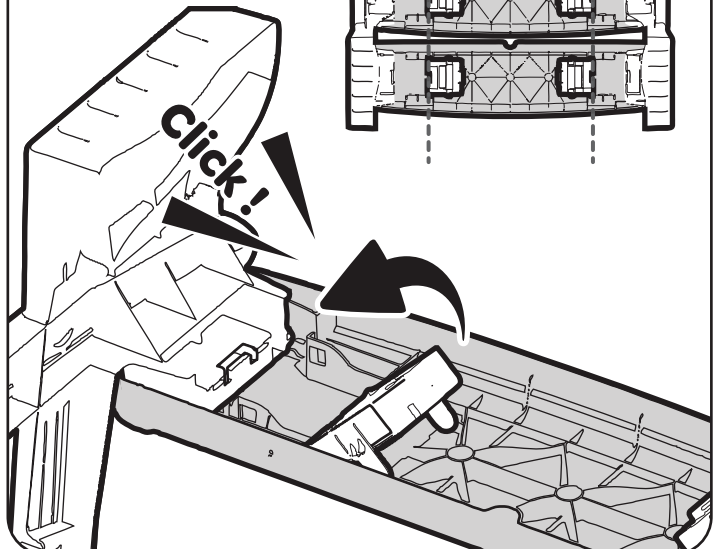
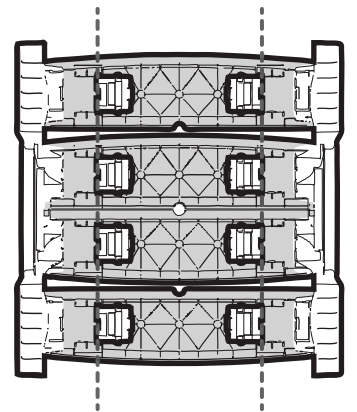
A3

- Pull the Side Panel (C) along the slot. This will secure the side panels in place for locking.



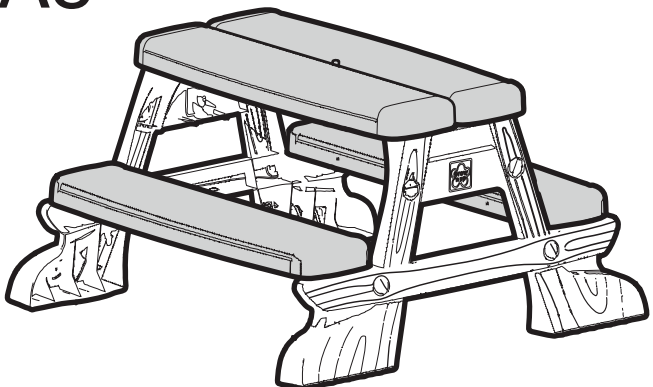
A4

- Close all the Hinge Locks on Table Top (A) and Seat Panel (B).
- Make sure all 8 hinge locks are both securely locked.



A5

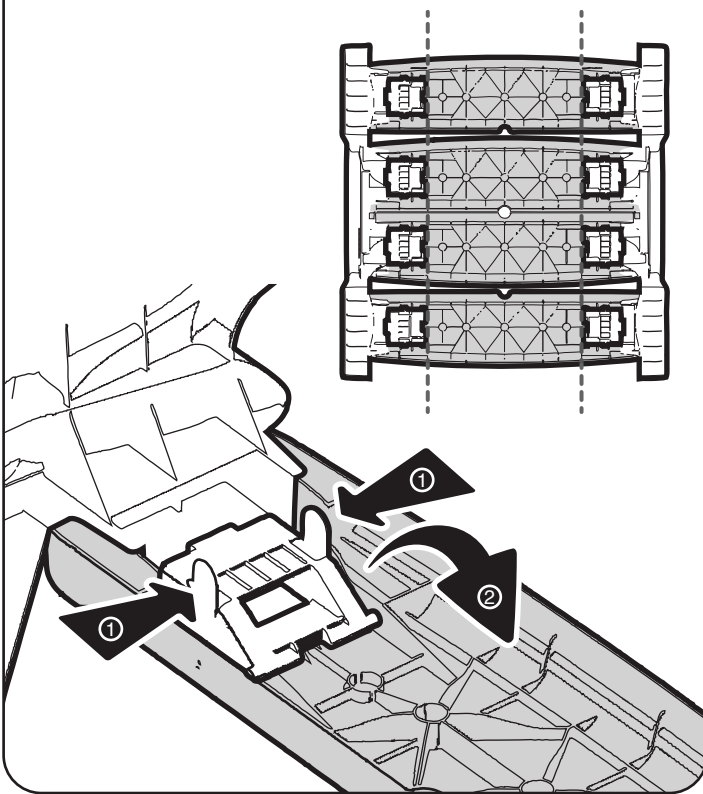
- Picture shows the completely assembled product.



STORAGE:

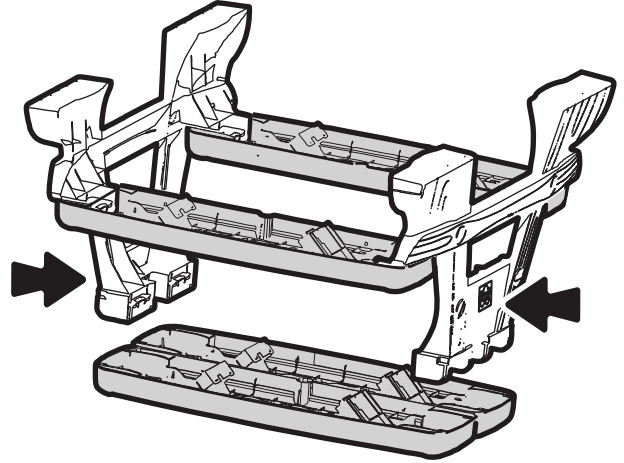
S1

- Turn the table upside down and lay down on the ground.
- Press 2 flaps and release the hinge locks.



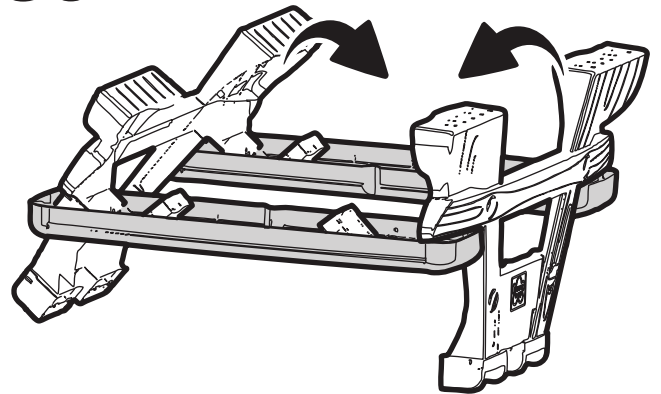
S2

- Press both side panels inward and detach the table top (A).



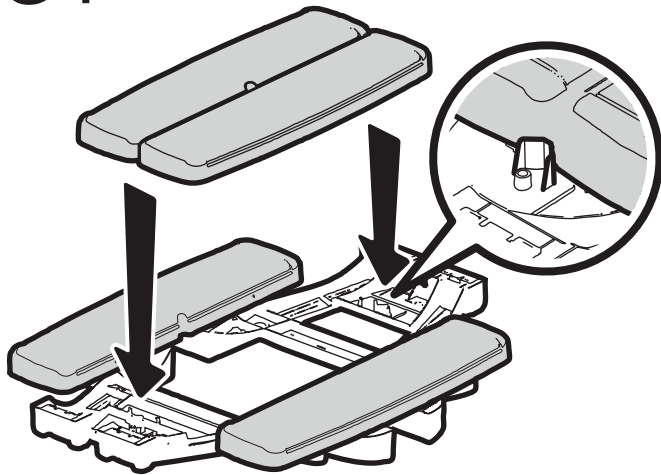
S3

- Fold the Side Panel (C) as shown.



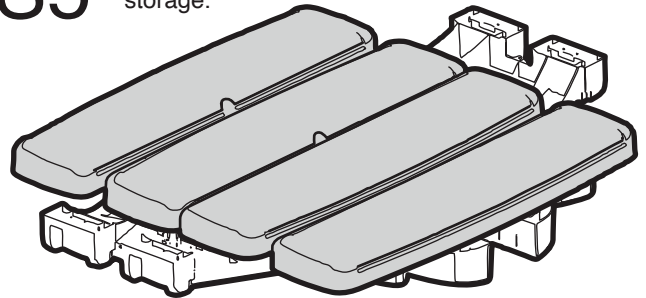
S4

- Place the table top on the frame and lock into the ribs as shown.



S5

- Picture shows completely assembled product for storage.



LIMITED WARRANTY

Our products are covered under warranty for a period of 1 year* from the date of purchase, under normal use and service, against defective workmanship and material. If you have recently purchased this product and find it to be defective in anyway, kindly return it to the "Source of Purchase" for a Full Refund or Exchange.

Should the product no longer be covered by your Purchase Receipt, or should you have any questions pertaining to our product, please call our Toll Free Customer Service for assistance.

Keep a copy of the UPC Code with proof of purchase receipt for any future Warranty Service.

Please retain packaging and assembly instructions for future reference.

* The warranty period is three (3) months for daycare or commercial purchasers.

CUSTOMER SERVICE

USA & Canada: service@grow-n-up.com

Toll free hotline: 1-888-468-9898

Other countries: support@grow-n-up.com

www.grow-n-up.com

©2015 Grow'n up Limited.

All Rights Reserved.

Room 808B New Mandarin Plaza, Tsim Sha Tsui, Kowloon, Hong Kong.

MADE IN CHINA (SZ)