



Make N Bake Kitchen *plus Kiosk*

No. 6008
Ages: 2+

INSTRUCTION MANUAL

DO NOT DISCARD: IMPORTANT LITERATURE. PLEASE READ & FOLLOW INSTRUCTIONS CAREFULLY BEFORE ASSEMBLY AND USE OF THIS PRODUCT. PLEASE KEEP THIS INSTRUCTION FOR FUTURE REFERENCE OR FOR ORDERING SPARE PARTS.

⚠ WARNING: Contains small parts and sharp points – ASSEMBLY MUST BE CONDUCTED BY AN ADULT.
Prior to and during assembly of this product, keep unassembled screws and plastic bags out of children's reach.

Small parts pose a choke hazard to children under 3 years.

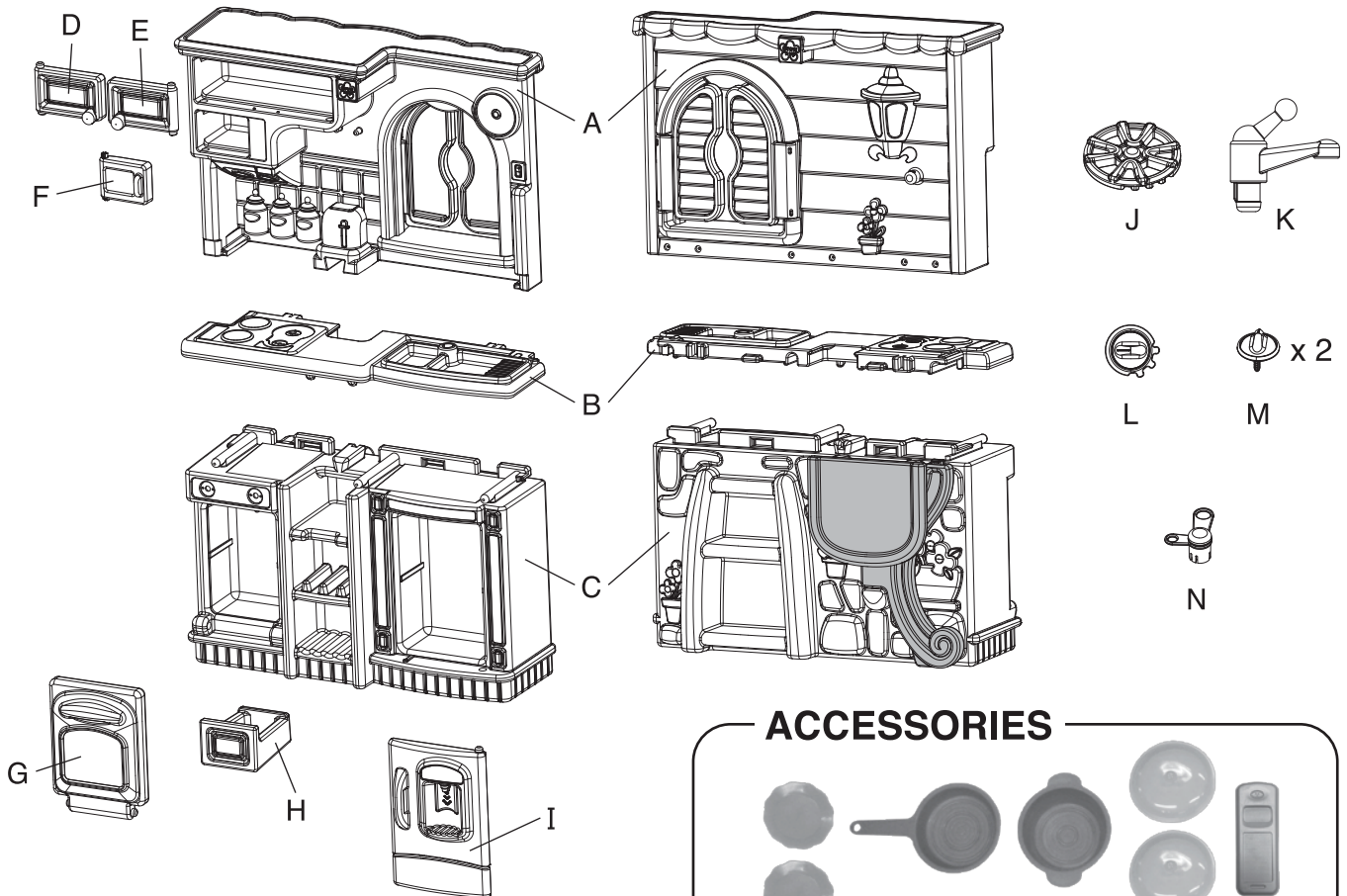
- Phillips/cross-headed screwdriver (not included) required for assembly.
- This item must be used on level ground. DO NOT use on an uneven surface.
- Adult supervision advised when item is in use.
- Maximum weight for stool is 23 kg (50 lbs). Limit one (1) child.

⚠ CAUTION:

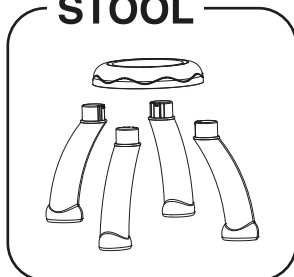
- The play foods and accessories are designed for pretend play only. All play foods should NOT be in contact with real foods and drinks.
- The utensils, cookware and play foods are NOT for infants as mouth toys.
- NEVER put the play food near heat.
- DO NOT use any of play accessories in a real kitchen, stove, microwave, oven or toaster oven. They may melt or start a fire if placed in a real kitchen appliance.
- DO NOT put real food and drinks into the toy utensils. The utensils are NOT dishwasher, oven or microwave safe.
- Please remove all packaging materials before giving this toy to a child.

ASSEMBLY INSTRUCTIONS

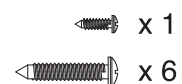
PARTS LIST



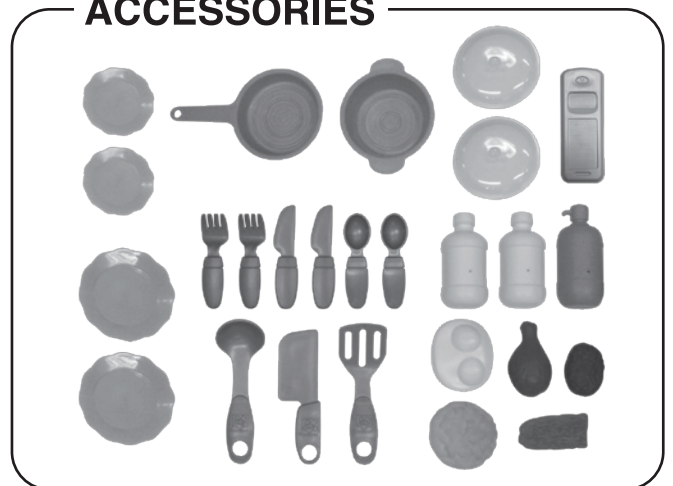
STOOL



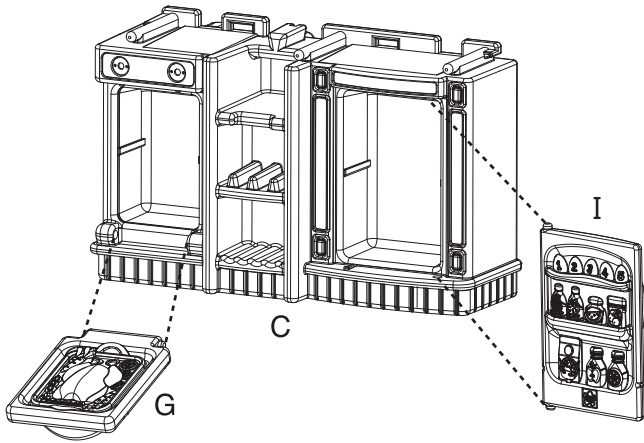
SCREWS



ACCESSORIES

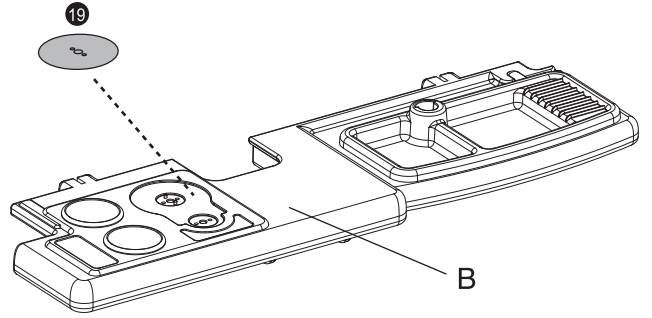


1



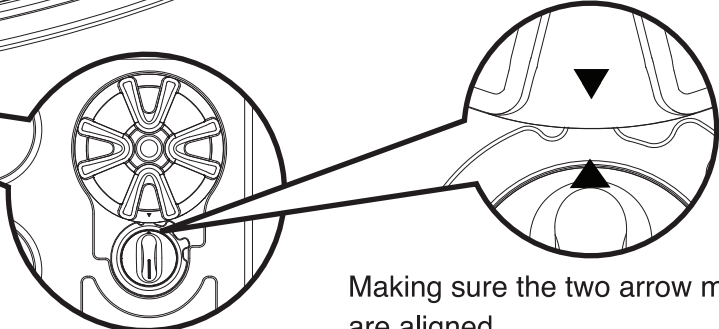
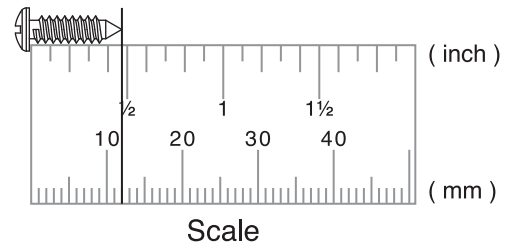
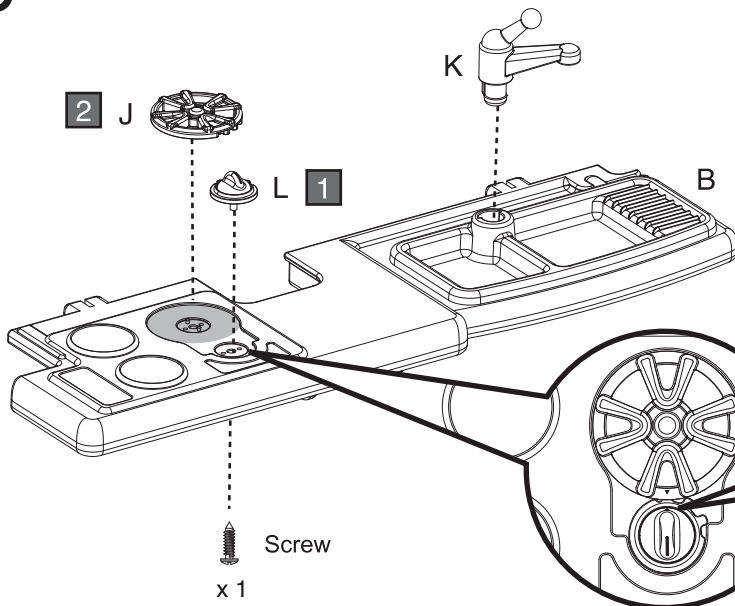
2

Before applying sticker, wipe the surface with a clean, dry cloth to remove dirt. Then, adhere the sticker 19 according to placement instructions.



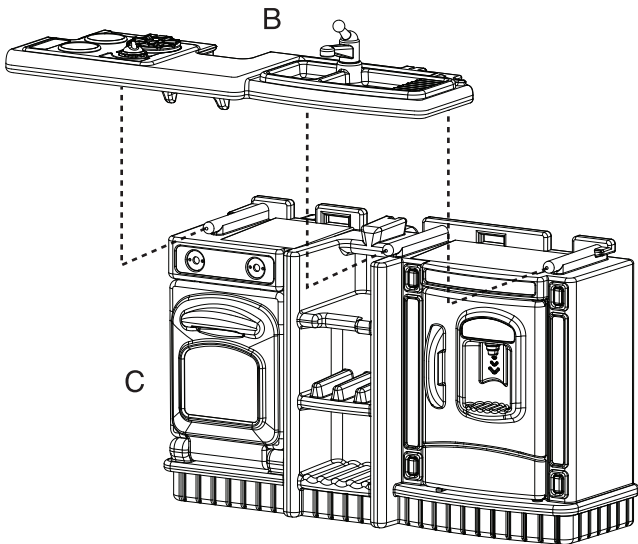
3

Install the Switch (L) first, then the Stove (J).

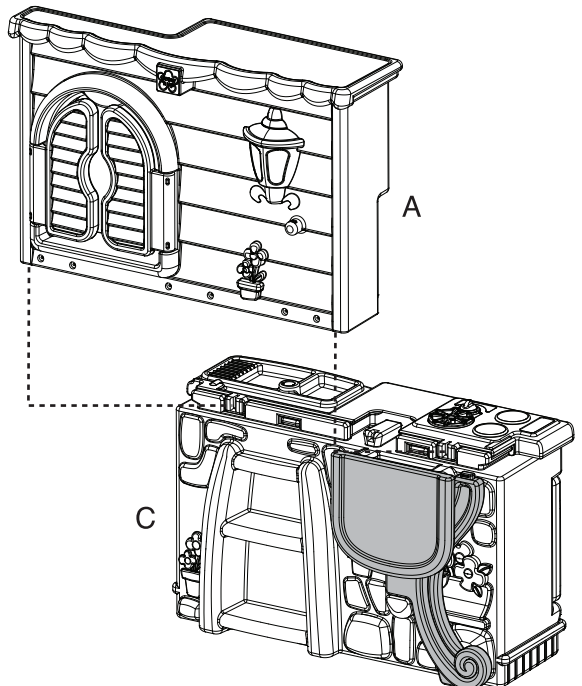


Making sure the two arrow marks are aligned.

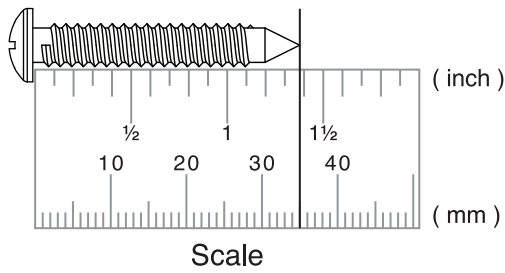
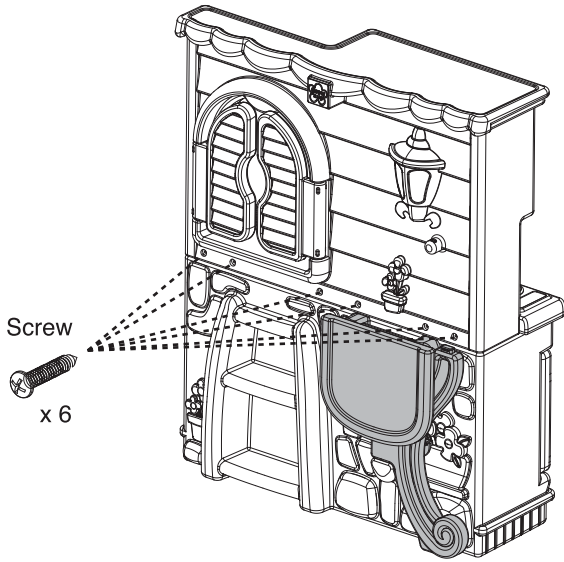
4



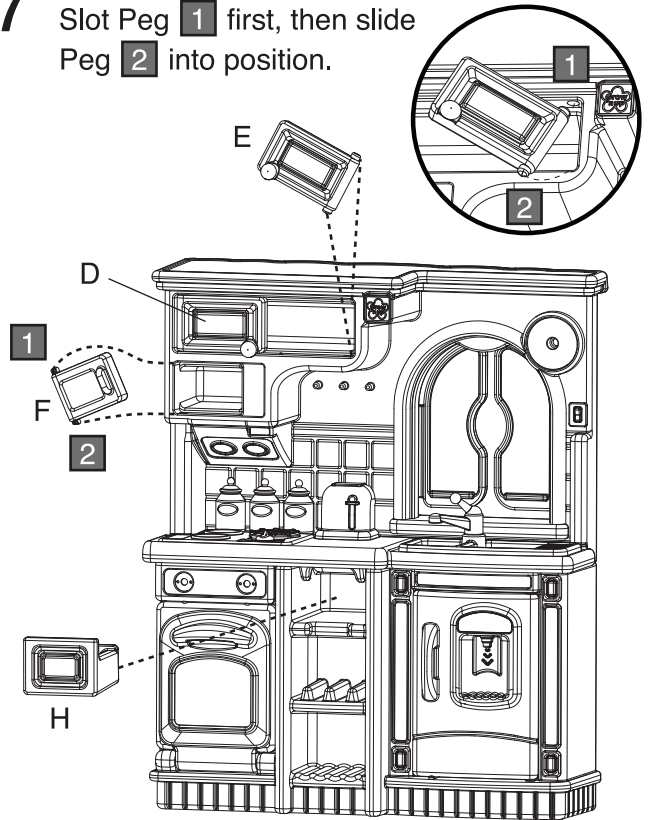
5



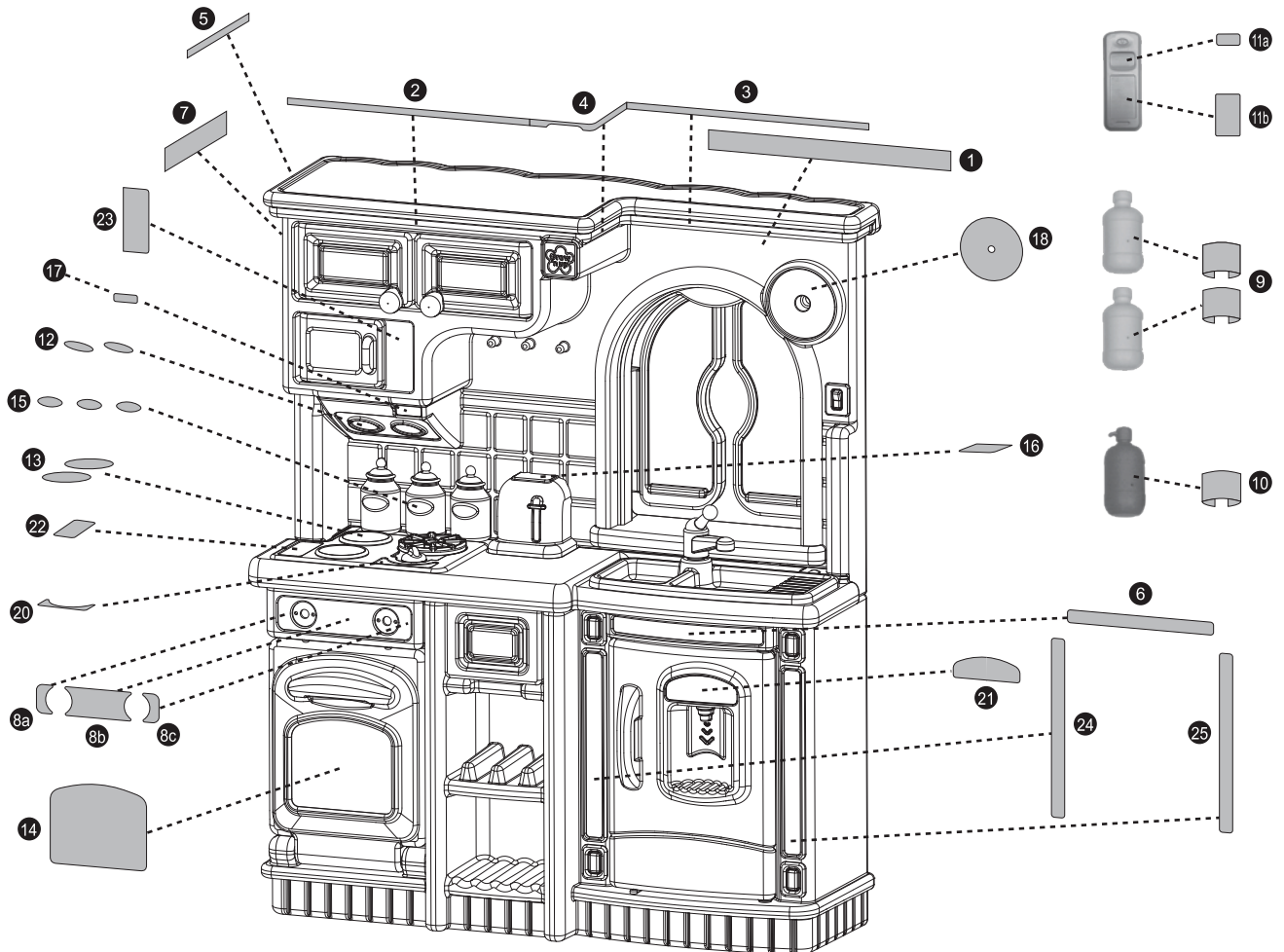
6

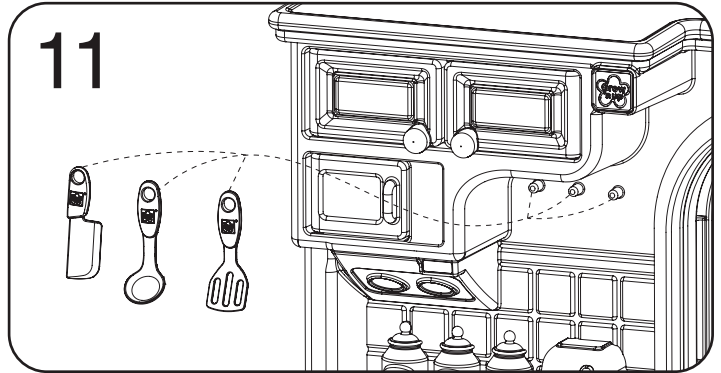
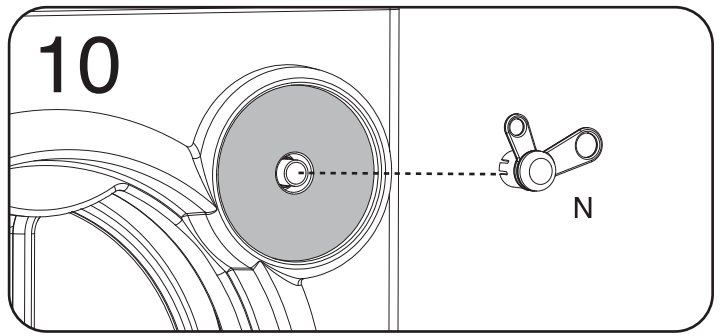
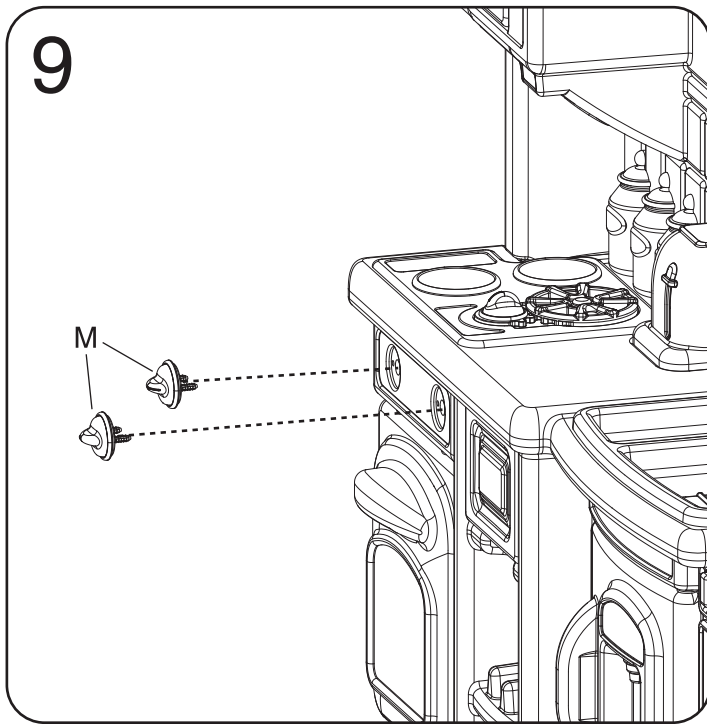


7 Tips for easier assembly:
Slot Peg 1 first, then slide
Peg 2 into position.

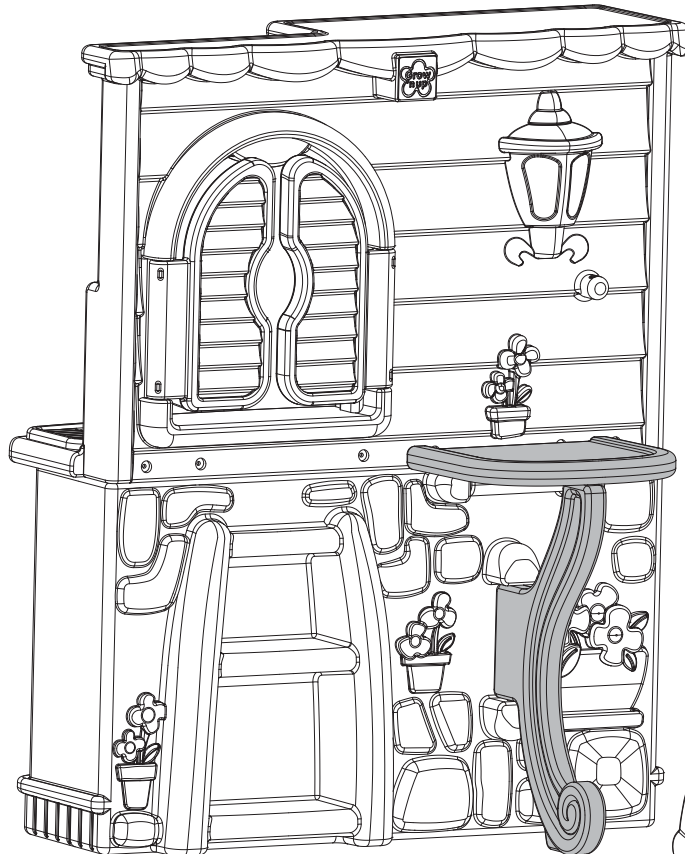
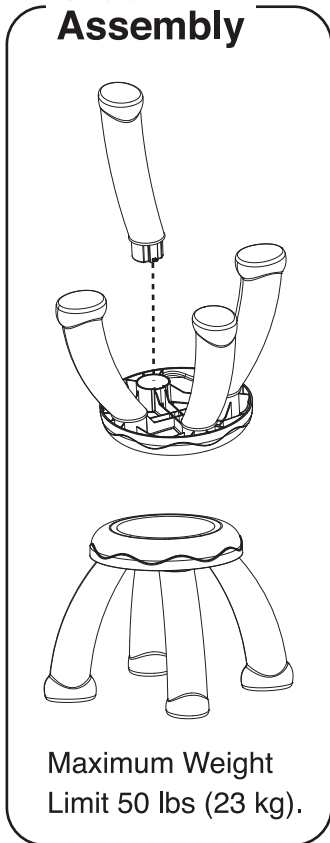


8 Before applying stickers, wipe the surface of the entire product with a clean, dry cloth to remove dirt. Then, adhere the stickers according to placement instructions.



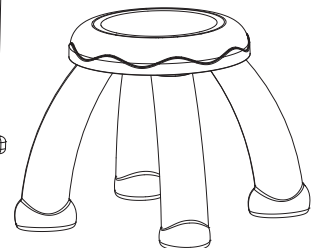
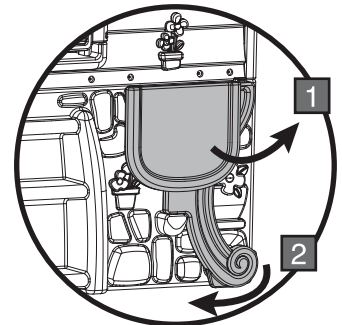


Stool Assembly



To set Cafe Table,

1. Lift up the table top,
2. Swing the table support underneath to form a perpendicular angle.
3. Snap the peg of table support to the hole at the underneath of table.
4. Press firmly downward and lock into place.



SAFETY & MAINTENANCE

Please make sure that all the pegs are securely snapped together before use.

Please check the unit regularly for any worn out parts, minor or moderate injury may result if the parts are not properly and securely assembled. If the stool parts are not snapped properly in place, it poses a hazard of collapsing and/or causing a fall.

LIMITED WARRANTY

Our products are covered under warranty for a period of 60 days from the date of purchase, under normal use and service, against defective workmanship and material. If you have recently purchased this product and find it to be defective in anyway, kindly return it to the "Source of Purchase" for a Full Refund or Exchange.

Should the product no longer be covered by your Purchase Receipt, or should you have any questions pertaining to our product, please call our Toll Free Customer Service for assistance.

Keep a copy of the UPC Code with proof of purchase receipt for any future Warranty Service. Please retain packaging and assembly instructions for future reference.

©2012 Grow'n Up Limited.
All Rights Reserved.
Tsim Sha Tsui East, Kowloon, Hong Kong.
MADE IN CHINA.

CUSTOMER SERVICE
USA and Canada: 1-888-GNU-9898
Email: service@grow-n-up.com
Other countries: support@grow-n-up.com
www.grow-n-up.com