



3-in-1 Magnetic Wood Easel

No.: 9010

Ages: 3+

INSTRUCTION MANUAL



WARNING:

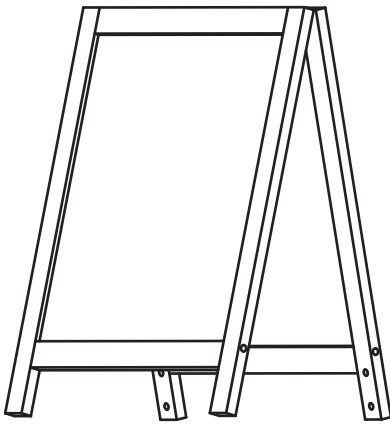
CHOKING HAZARD - Small parts and sharp points.
Not for children under 3 years.

Small magnets may loosen and pose a choking hazard to children. Be sure to keep small magnet parts out of children's reach. Do not ingest or inhale magnets. Ingestion of magnets in the body may cause serious or fatal injury. Seek immediate medical attention if a child swallows one or more magnets.

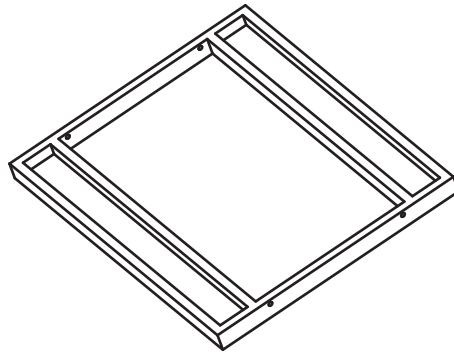
- Assembly must be conducted by AN ADULT. ONLY an ADULT should operate the folding and height adjustments.
- Keep small parts and sharp points necessary for assembly out of children's reach during and after assembly.
- Phillips/cross-headed screwdriver (not included) is required for installation.
- DO NOT use on an uneven surface. This item must be used on level ground.
- DO NOT locate this item in close proximity to an open fire, radiator or heater.
- Adult supervision advised when item is in use.
- Please remove all packaging materials before giving this product to a child.

Parts List

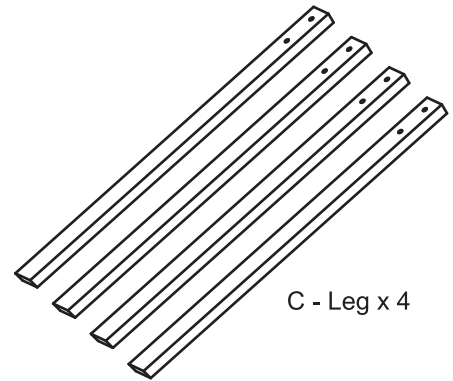
Illustrations not to scale.



A - Easel x 1



B - Tray x 1

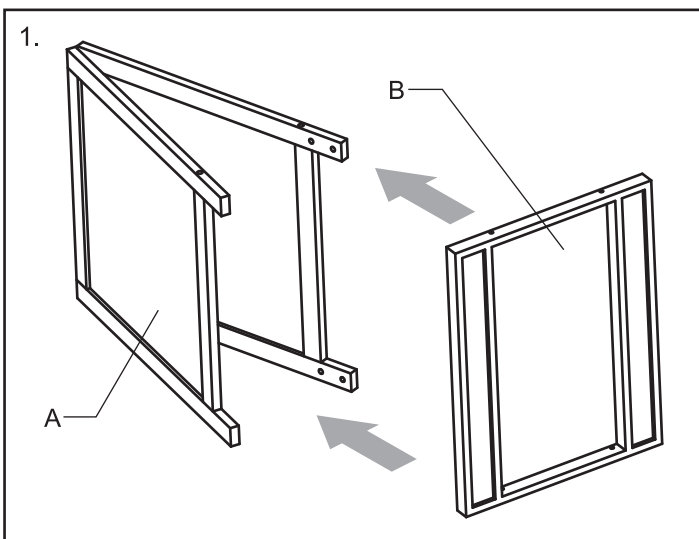


C - Leg x 4

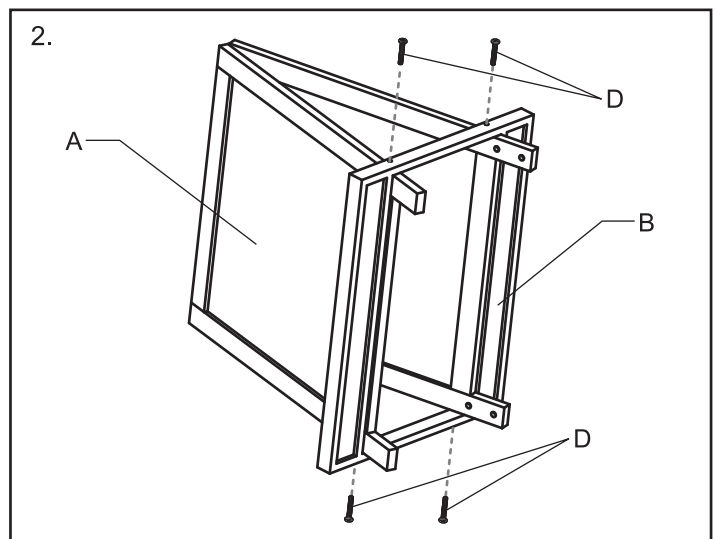


D - Screw x 12

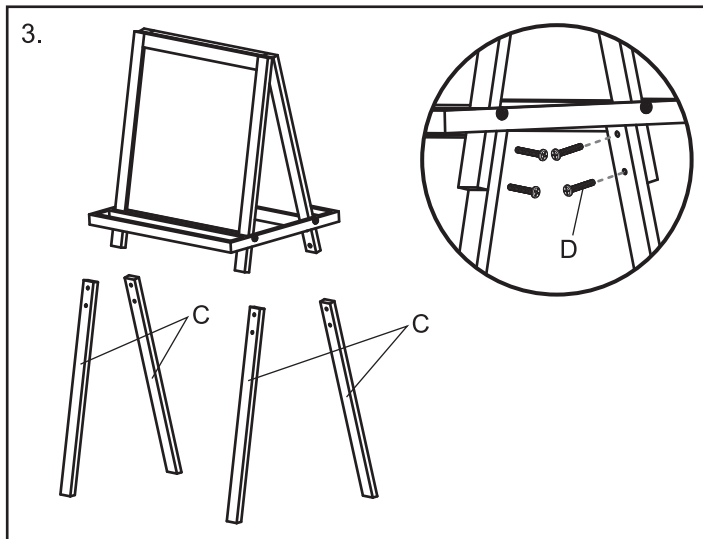
ASSEMBLY INSTRUCTION



- Lay Easel (A) sideways with panels slightly apart from a "A" shape.
- Then take the Tray (B) matching white tray to whiteboard and black tray to blackboard. Push in until screw holes align.



- Tighten all 4 sides with Screw (D).
- Make sure all screws fasten securely.



- Take the legs of the easel and screw it on with Screw (D) provided.
- Make sure all screws fasten securely.
- Repeat the steps for the rest of the legs.

SAFETY AND MAINTENANCE

- Before use, please check that all parts are assembled and fastened securely.
- Please check the unit regularly for any worn out parts. The item must be securely assembled to avoid the potential of falling or tipping which can result in a serious or fatal injury.
- DO NOT locate this product in close proximity to an open fire, radiator or heater.

CARE INSTRUCTIONS

- This Easel was made for **INDOOR** use. DO NOT attempt to use or expose the unit outdoors. The boards are weather sensitive, any wetness or excessive dampness will ruin the board.
- DO NOT use any Spray or Dry-Erase cleaners on the boards, as this may cause damage.
- Treat the board surfaces with care; DO NOT use sharp pointed objects on the writing surfaces. Scratching the surfaces will cause permanent damage.
- Eraser can be used for both Dry-Erase and Chalkboard surfaces. If there is some hard-to-erase ink/chalk left on the Dry-Erase or Chalkboard, use a "**slightly damp**" sponge (or paper towel) and wipe the board clean. Any excessive water may damage the boards.

Whiteboard (Dry-Erase)

- Completely erase the Dry-Erase surface before storing it for an extended period of time.
- It is recommended that you use Crayola® Dry-Erase Markers (purchased separately) on a small area of the board, prior to allowing the child to play with the board.
- Do not use Washable Markers or Permanent Markers. For best results, use only Crayola® Dry-Erase Markers.

Chalkboard

- Chalkboard must be treated prior to use. To season: Hold Crayola® Anti-Dust® or school chalk on the flat side (not the point side) and using broad flat strokes, coat the board both horizontally then vertically, making sure to cover the entire board surface. Wipe off the chalk with a **slightly damp** sponge (or paper towel).
- Crayola® Anti-Dust® or school chalk (calcium carbonate based) is recommended for use on the Chalkboard surface. DO NOT use Crayola® Sidewalk chalk or other "street chalk" as it contains abrasives that will damage the board.

LIMITED WARRANTY

Our products are covered under warranty for a period of 60 days from the date of purchase, under normal use and service, against defective workmanship and material. If you have recently purchased this product and find it to be defective in anyway, kindly return it to the "Source of Purchase" for a Full Refund or Exchange.

Should the product no longer be covered by your Purchase Receipt, or should you have any questions pertaining to our product, please call our Toll Free Customer Service for assistance.

Keep a copy of the UPC Code with proof of purchase receipt for any future Warranty Service.

Please retain packaging and assembly instructions for future reference.

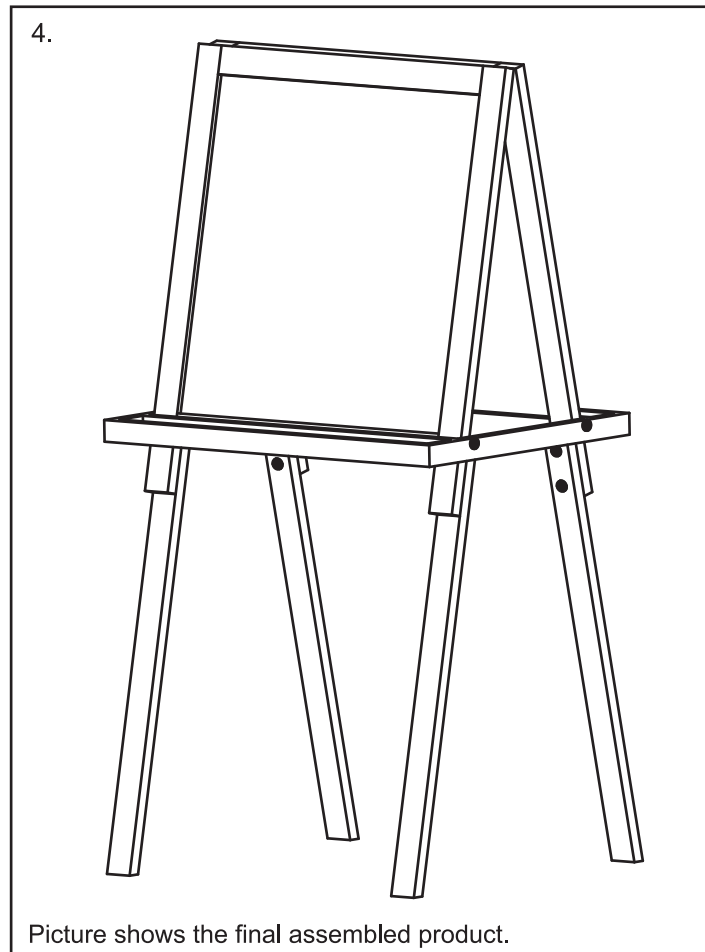
CUSTOMER SERVICE

USA and Canada: service@grow-n-up.com

Toll free hotline: 1-888-468-9898

Other countries: support@grow-n-up.com

www.grow-n-up.com



Picture shows the final assembled product.

©2013 Crayola.

Grow'n up Limited.

Tsim Sha Tsui, Kowloon, Hong Kong.

All Rights Reserved.

MADE IN CHINA.